

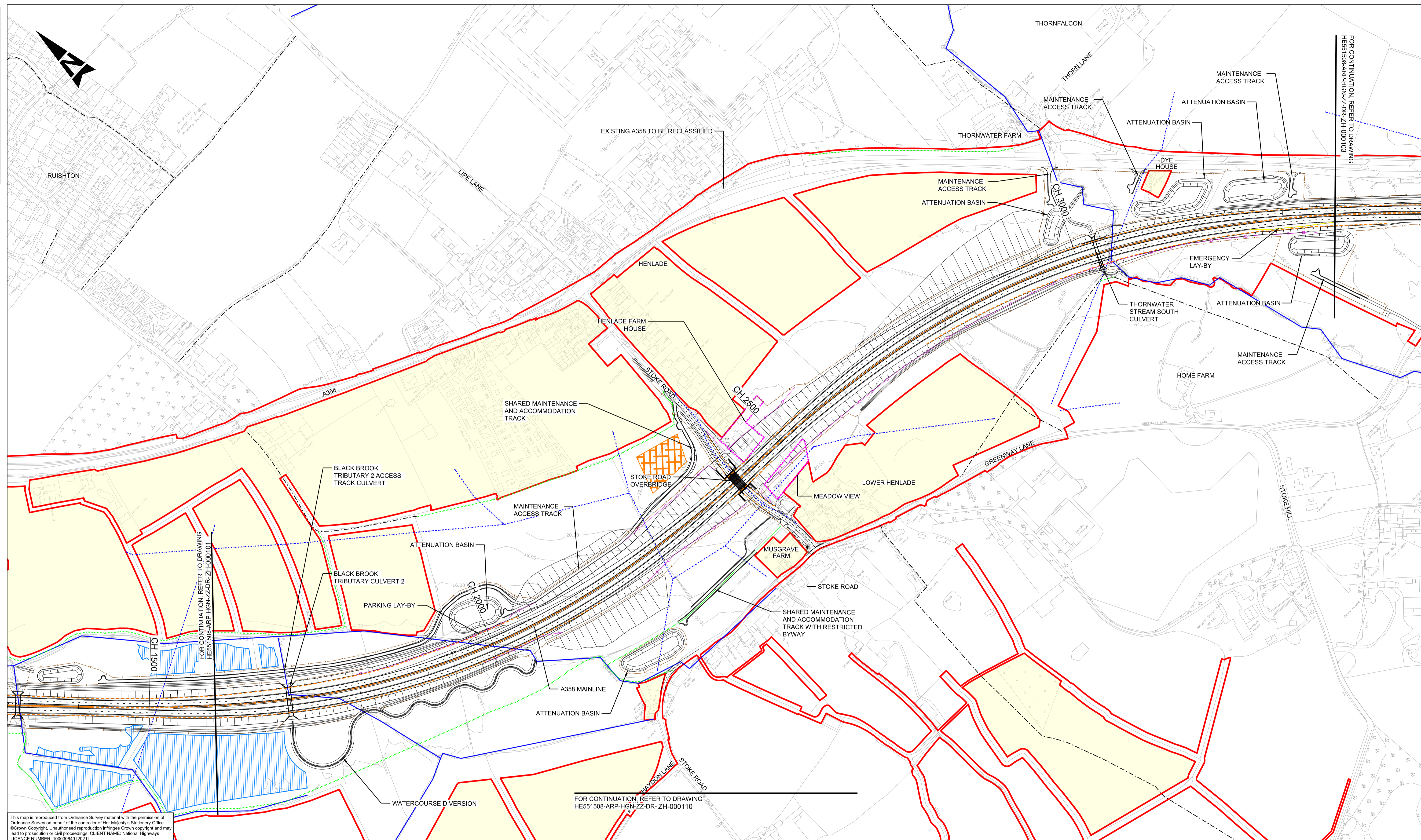
A358 TAUNTON TO SOUTHFIELDS DUALLING SCHEME

SUPPLEMENTARY CONSULTATION 2022

GENERAL ARRANGEMENT DRAWINGS

DO NOT SCALE

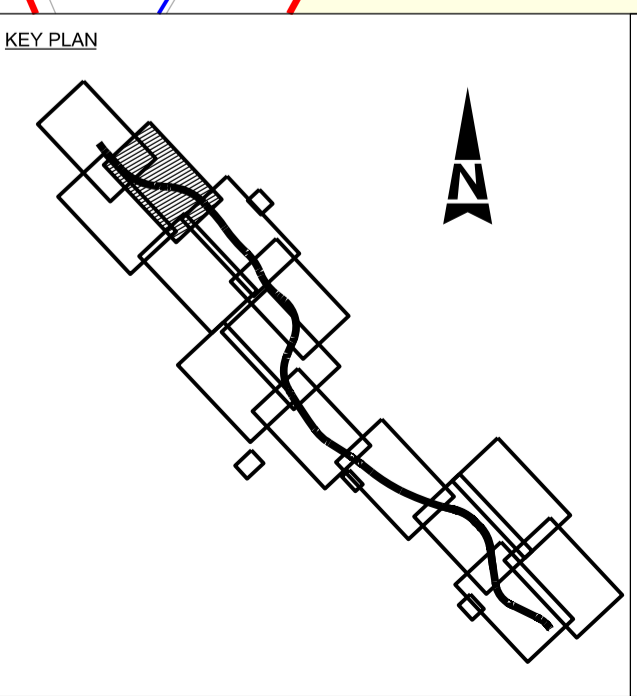
Millimetres



This map is reproduced from Ordnance Survey material with the permission of Ordnance Survey on behalf of the controller of Her Majesty's Stationery Office. © Crown Copyright. Unauthorised reproduction infringes Crown copyright and may lead to prosecution or civil proceedings. CLIENT NAME: National Highways LICENCE NUMBER: 100030649 (2021)

- KEY**
- SCHEME BOUNDARY
 - AREAS EXCLUDED FROM THE SCHEME BOUNDARY
 - HIGH VOLTAGE (11kV) UNDERGROUND ELECTRICITY CABLE
 - HIGH AND LOW VOLTAGE OVERHEAD LINE
 - HIGH PRESSURE GAS MAIN
 - BLIGHTED PROPERTIES
 - PROPOSED FLOOD COMPENSATION AREA
 - PROPOSED FLOOD COMPENSATION DITCH
 - HIGHWAY FENCING WITH MAMMAL PROOFING
 - EXISTING WATERCOURSE
 - PROPOSED WALKING, CYCLING, HORSE RIDING ROUTE (WCH)

- NOTES**
1. ALL DIMENSIONS ARE IN METRES UNLESS NOTED OTHERWISE.
 2. ONLY WRITTEN DIMENSIONS SHALL BE USED, DO NOT SCALE.
 3. HIGH RISK UTILITIES SHOWN ON THESE DRAWINGS ARE SHOWN INDICATIVELY AND BASED ON INFORMATION PROVIDED BY OTHERS. THEREFORE ITS ACCURACY CANNOT BE GUARANTEED. OTHER EXISTING SERVICES MAY ALSO BE PRESENT.
 4. FOR MORE DETAILS ON PROPOSED AND EXISTING WALKING, CYCLING AND HORSE RIDING ROUTES REFER TO DRAWINGS HE551508-ARP-ENM-ML_A358_2-DR-CH-000001-000004.
 5. THE DESIGN INFORMATION PRESENTED ON THIS DRAWING REPRESENTS DEVELOPING PRELIMINARY DESIGN AND WILL BE SUBJECT TO ONGOING REVIEW AND REFINEMENT.



FOR CONTINUATION, REFER TO DRAWING HE551508-ARP-HGN-ZZ-DR-ZH-000110

FOR CONTINUATION, REFER TO DRAWING HE551508-ARP-HGN-ZZ-DR-ZH-000103

Rev.	Date	Description	By	Chk'd	App'd	Auth'd
P01	06/05/22	ISSUED FOR INFORMATION	EW	RH	MK	SV

Client: **ARUP** **RAMBOLL**

national highways

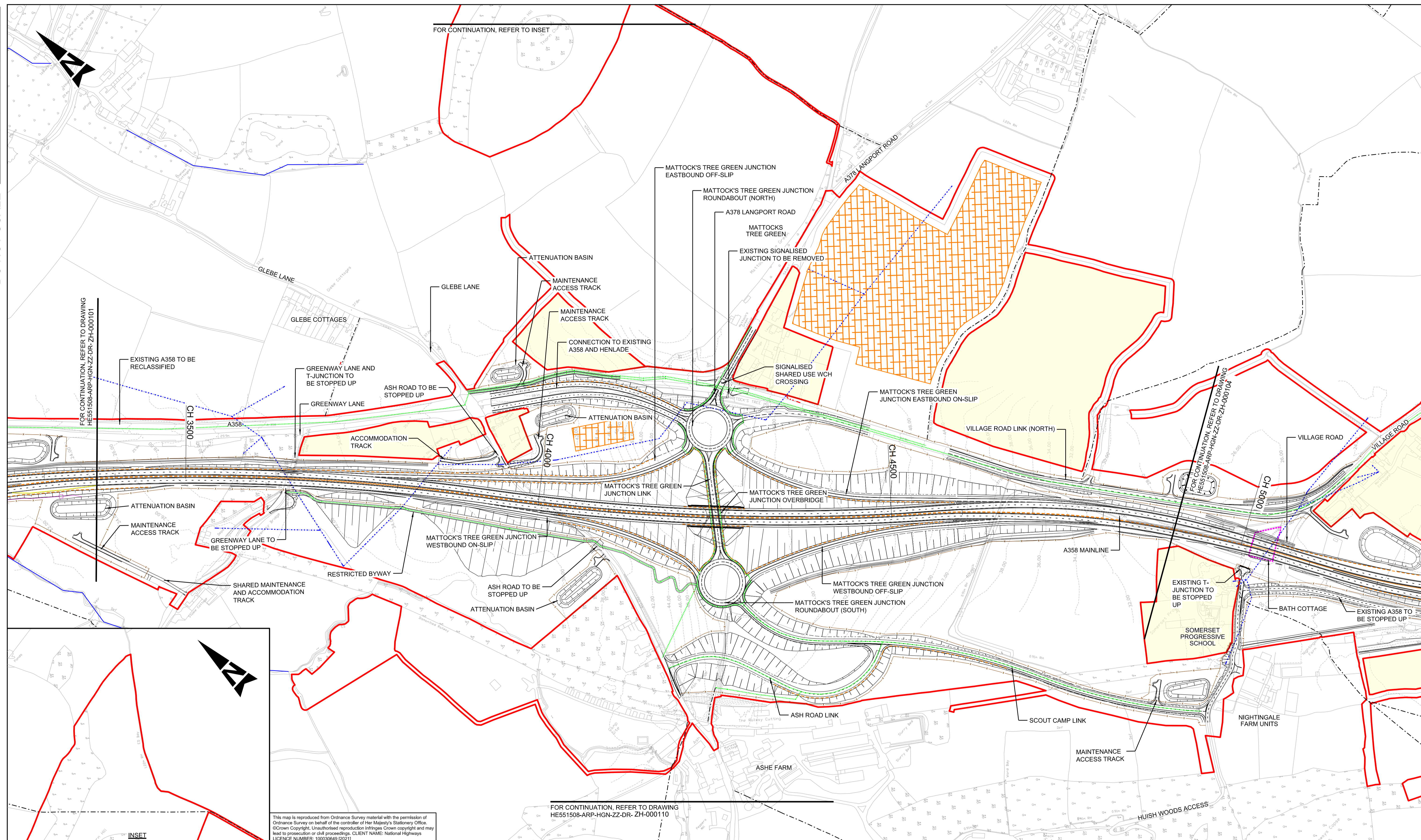
Project Title: A358 TAUNTON TO SOUTHFIELDS DUALLING SCHEME					
Drawing Title: GENERAL ARRANGEMENT - SHEET 2 SECTION 1 NEXUS 25 SIGNALISED JUNCTION TO MATTOCK'S TREE GREEN JUNCTION					
Scale: N/A	By: EW	Checked: RH	Approved: MK	Authorised: SV	
Original Size: A1	Date: 06/05/22	Date: 06/05/22	Date: 09/05/22	Date: 09/05/22	
Drawing Number: HE551508 - ZZ	Originator: ARP	Volume: HGN	Revision: P01		
Location: ZZ	Type: -DR	Role: -ZH	Number: 000102		

S2 SUITABLE FOR INFORMATION

Drawing Status: S2 SUITABLE FOR INFORMATION

DO NOT SCALE

0 10 100
Millimetres



KEY

- SCHEME BOUNDARY
- AREAS EXCLUDED FROM THE SCHEME BOUNDARY
- HIGH VOLTAGE (11kV) UNDERGROUND ELECTRICITY CABLE
- HIGH AND LOW VOLTAGE OVERHEAD LINE
- HIGH PRESSURE GAS MAIN
- BLIGHTED PROPERTIES
- PROPOSED FLOOD COMPENSATION AREA
- PROPOSED FLOOD COMPENSATION DITCH
- HIGHWAY FENCING WITH MAMMAL PROOFING
- EXISTING WATERCOURSE
- PROPOSED WALKING, CYCLING, HORSE RIDING ROUTE (WCH)

EXISTING PUBLIC RIGHT OF WAY

- PROPOSED VEHICLE RESTRAINT SYSTEM
- PROPOSED NOISE BARRIER
- CULVERT STRUCTURES
- SITE COMPOUND

NOTES

- ALL DIMENSIONS ARE IN METRES UNLESS NOTED OTHERWISE.
- ONLY WRITTEN DIMENSIONS SHALL BE USED, DO NOT SCALE.
- HIGH RISK UTILITIES SHOWN ON THESE DRAWINGS ARE SHOWN INDICATIVELY AND BASED ON INFORMATION PROVIDED BY OTHERS. THEREFORE ITS ACCURACY CANNOT BE GUARANTEED. OTHER EXISTING SERVICES MAY ALSO BE PRESENT.
- FOR MORE DETAILS ON PROPOSED AND EXISTING WALKING, CYCLING AND HORSE RIDING ROUTES REFER TO DRAWINGS HE551508-ARP-EN-MM-A358_Z-DR-CH-00001-00004.
- THE DESIGN INFORMATION PRESENTED ON THIS DRAWING REPRESENTS DEVELOPING PRELIMINARY DESIGN AND WILL BE SUBJECT TO ONGOING REVIEW AND REFINEMENT.

KEY PLAN

This map is reproduced from Ordnance Survey material with the permission of Ordnance Survey on behalf of the controller of Her Majesty's Stationery Office. © Crown Copyright. Unauthorised reproduction infringes Crown copyright and may lead to prosecution or civil proceedings. CLIENT NAME: National Highways LICENCE NUMBER: 100030649 (2021)

FOR CONTINUATION, REFER TO DRAWING HE551508-ARP-HGN-ZZ-DR-ZH-000110

FOR CONTINUATION, REFER TO INSET

FOR CONTINUATION, REFER TO DRAWING HE551508-ARP-HGN-ZZ-DR-ZH-000104

Rev.	Date	Description	By	Chk'd	App'd	Auth'd
P01	06/05/22	ISSUED FOR INFORMATION	EW	RH	MK	SV

Client: **national highways**

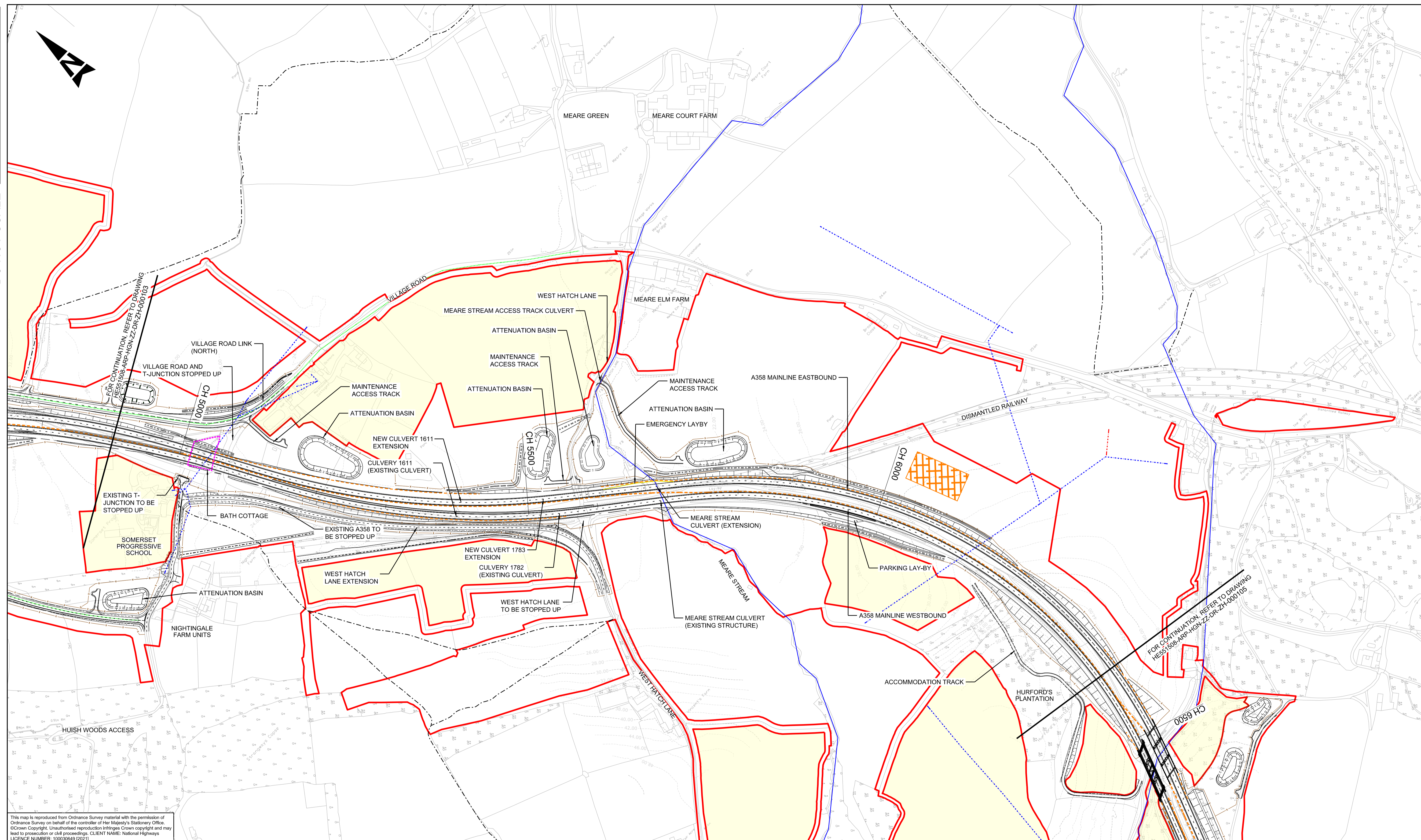
Drawing Status: **S2 SUITABLE FOR INFORMATION**

Logos: **TAYLOR WOODROW** together @ VINCI, **ARUP**, **RAMBOLL**

Project Title: A358 TAUNTON TO SOUTHFIELDS DUALLING SCHEME					
Drawing Title: GENERAL ARRANGEMENT - SHEET 3 SECTION 2 MATTOCK'S TREE GREEN JUNCTION					
Scale: N/A	By: EW	Checked: RH	Approved: MK	Authorised: SV	
Original Size: A1	Date: 06/05/22	Date: 06/05/22	Date: 09/05/22	Date: 09/05/22	
Drawing Number: HE551508 - ZZ	Originator: ARP	Volume: -DR-ZH-000103	Revision: P01		
Location: ZZ	Type: -DR	Role: -ZH	Number: 000103		

DO NOT SCALE

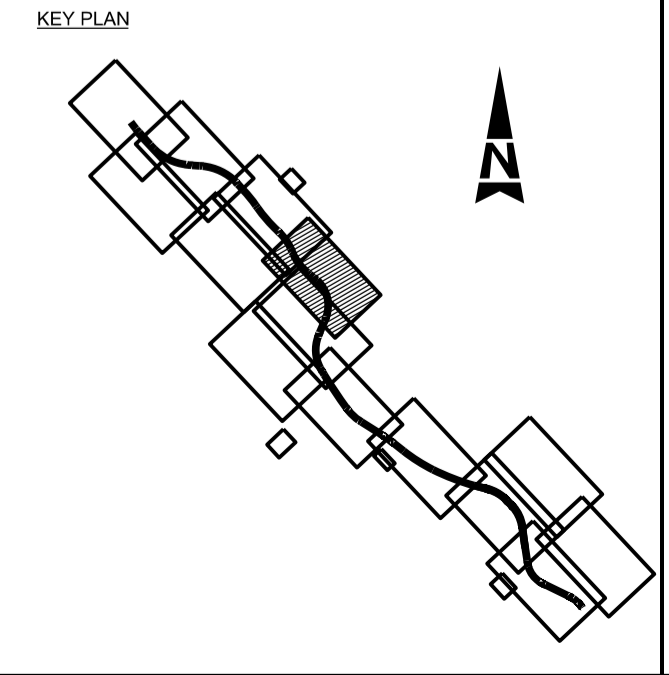
0 10 100
Millimetres



This map is reproduced from Ordnance Survey material with the permission of Ordnance Survey on behalf of the controller of Her Majesty's Stationery Office. © Crown Copyright. Unauthorised reproduction infringes Crown copyright and may lead to prosecution or civil proceedings. CLIENT NAME: National Highways LICENCE NUMBER: 100030649 (2021)

- KEY**
- SCHEME BOUNDARY
 - AREAS EXCLUDED FROM THE SCHEME BOUNDARY
 - HIGH VOLTAGE (11kV) UNDERGROUND ELECTRICITY CABLE
 - HIGH AND LOW VOLTAGE OVERHEAD LINE
 - HIGH PRESSURE GAS MAIN
 - BLIGHTED PROPERTIES
 - PROPOSED FLOOD COMPENSATION AREA
 - PROPOSED FLOOD COMPENSATION DITCH
 - HIGHWAY FENCING WITH MAMMAL PROOFING
 - EXISTING WATERCOURSE
 - PROPOSED WALKING, CYCLING, HORSE RIDING ROUTE (WCHR)

- KEY PLAN**
- EXISTING PUBLIC RIGHT OF WAY
 - PROPOSED VEHICLE RESTRAINT SYSTEM
 - PROPOSED NOISE BARRIER
 - CULVERT STRUCTURES
 - SITE COMPOUND
- NOTES**
- ALL DIMENSIONS ARE IN METRES UNLESS NOTED OTHERWISE.
 - ONLY WRITTEN DIMENSIONS SHALL BE USED, DO NOT SCALE.
 - HIGH RISK UTILITIES SHOWN ON THESE DRAWINGS ARE SHOWN INDICATIVELY AND BASED ON INFORMATION PROVIDED BY OTHERS. THEREFORE ITS ACCURACY CANNOT BE GUARANTEED. OTHER EXISTING SERVICES MAY ALSO BE PRESENT.
 - FOR MORE DETAILS ON PROPOSED AND EXISTING WALKING, CYCLING AND HORSE RIDING ROUTES REFER TO DRAWINGS HE551508-ARP-ENM-ML_A358_2-DR-CH-000001-000004.
 - THE DESIGN INFORMATION PRESENTED ON THIS DRAWING REPRESENTS DEVELOPING PRELIMINARY DESIGN AND WILL BE SUBJECT TO ONGOING REVIEW AND REFINEMENT.



Rev.	Date	Description	By	Chk'd	App'd	Auth'd
P01	06/05/22	ISSUED FOR INFORMATION	EW	RH	MK	SV

S2 SUITABLE FOR INFORMATION

TAYLOR WOODROW
together @ VINCI

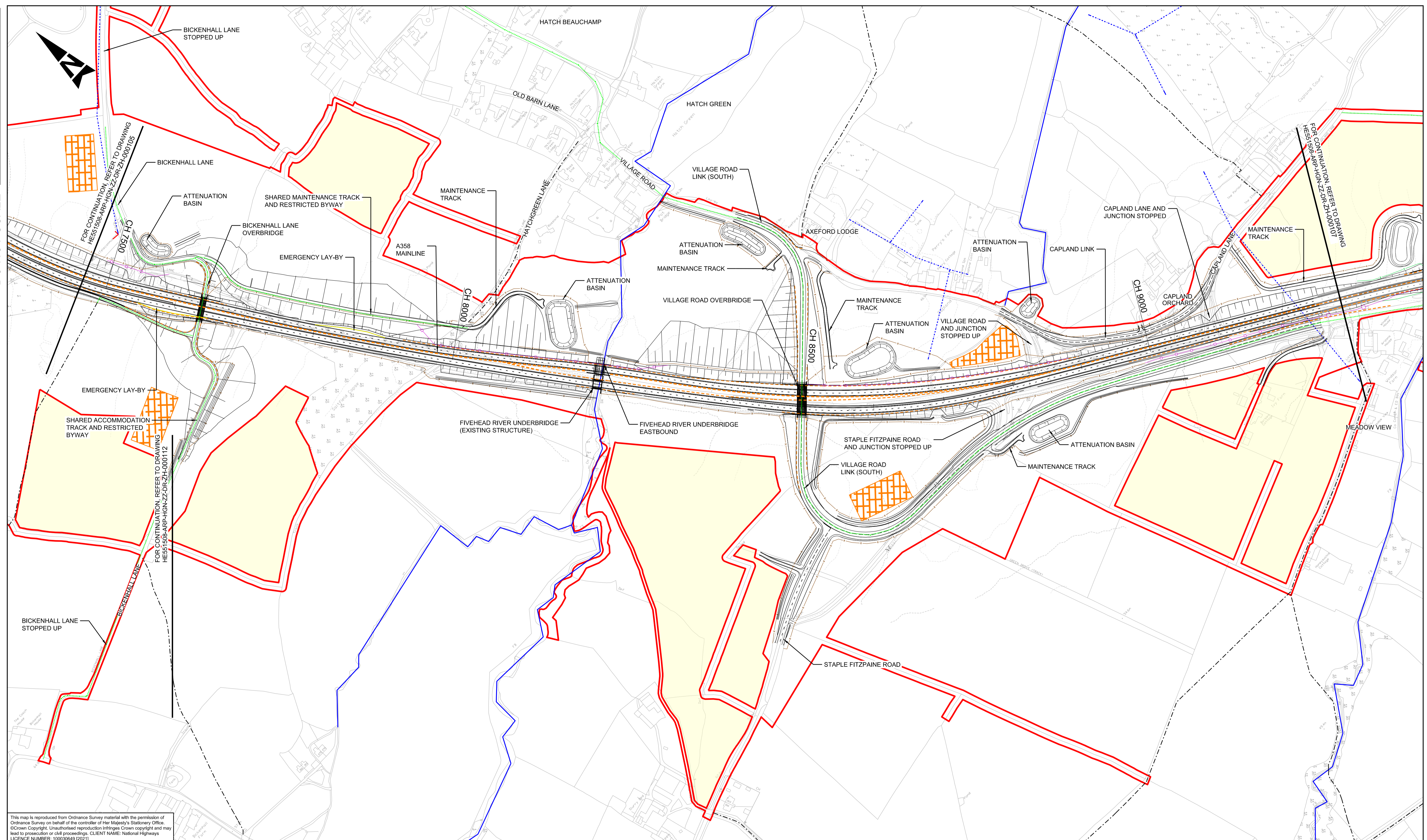
ARUP **RAMBOLL**

national highways

Project Title A358 TAUNTON TO SOUTHFIELDS DUALLING SCHEME					
Drawing Title GENERAL ARRANGEMENT - SHEET 4 SECTION 2 MATTOCK'S TREE GREEN JUNCTION TO GRIFFIN LANE					
Scale N/A	By EW	Checked RH	Approved MK	Authorised SV	
Original Size A1	Date 06/05/22	Date 06/05/22	Date 09/05/22	Date 09/05/22	
Drawing Number HE551508 - ZZ	Originator ARP	Volume HGN	Number -DR-ZH-000104		Revision P01

DO NOT SCALE

Millimetres
0 10 100

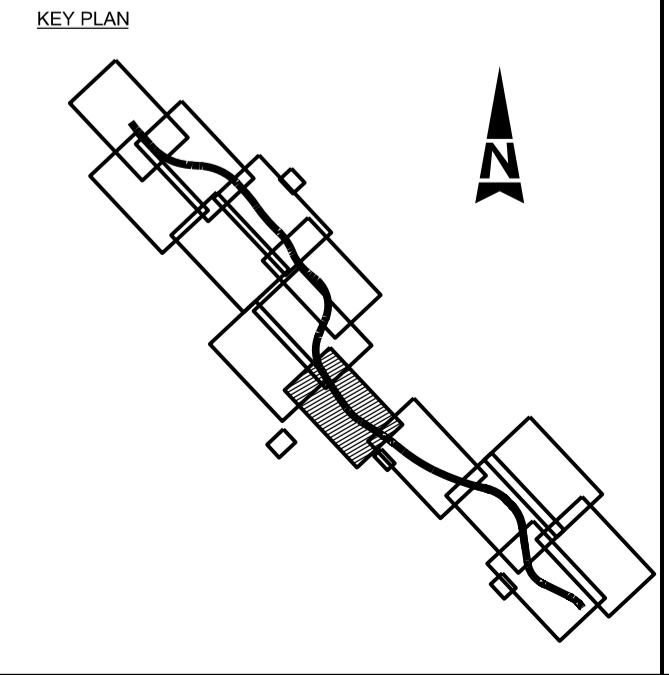


This map is reproduced from Ordnance Survey material with the permission of Ordnance Survey on behalf of the controller of Her Majesty's Stationery Office. © Crown Copyright. Unauthorised reproduction infringes Crown copyright and may lead to prosecution or civil proceedings. CLIENT NAME: National Highways LICENCE NUMBER: 100030649 (2021)

KEY

	SCHEME BOUNDARY		EXISTING PUBLIC RIGHT OF WAY
	AREAS EXCLUDED FROM THE SCHEME BOUNDARY		PROPOSED VEHICLE RESTRAINT SYSTEM
	HIGH VOLTAGE (11kV) UNDERGROUND ELECTRICITY CABLE		PROPOSED NOISE BARRIER
	HIGH AND LOW VOLTAGE OVERHEAD LINE		CULVERT STRUCTURES
	HIGH PRESSURE GAS MAIN		SITE COMPOUND
	BLIGHTED PROPERTIES		
	PROPOSED FLOOD COMPENSATION AREA		
	PROPOSED FLOOD COMPENSATION DITCH		
	HIGHWAY FENCING WITH MAMMAL PROOFING		
	EXISTING WATERCOURSE		
	PROPOSED WALKING, CYCLING, HORSE RIDING ROUTE (WCH)		

- NOTES**
1. ALL DIMENSIONS ARE IN METRES UNLESS NOTED OTHERWISE.
 2. ONLY WRITTEN DIMENSIONS SHALL BE USED, DO NOT SCALE.
 3. HIGH RISK UTILITIES SHOWN ON THESE DRAWINGS ARE SHOWN INDICATIVELY AND BASED ON INFORMATION PROVIDED BY OTHERS. THEREFORE ITS ACCURACY CANNOT BE GUARANTEED. OTHER EXISTING SERVICES MAY ALSO BE PRESENT.
 4. FOR MORE DETAILS ON PROPOSED AND EXISTING WALKING, CYCLING AND HORSE RIDING ROUTES REFER TO DRAWINGS HE551508-ARP-ENM-ML_A358_Z-DR-CH-000001-000004.
 5. THE DESIGN INFORMATION PRESENTED ON THIS DRAWING REPRESENTS DEVELOPING PRELIMINARY DESIGN AND WILL BE SUBJECT TO ONGOING REVIEW AND REFINEMENT.



Rev.	Date	Description	By	Chk'd	App'd	Auth'd
P01	06/05/22	ISSUED FOR INFORMATION	EW	RH	MK	SV

Suitability: **S2** Drawing Status: **SUITABLE FOR INFORMATION**

TAYLOR WOODROW
together @ VINCI

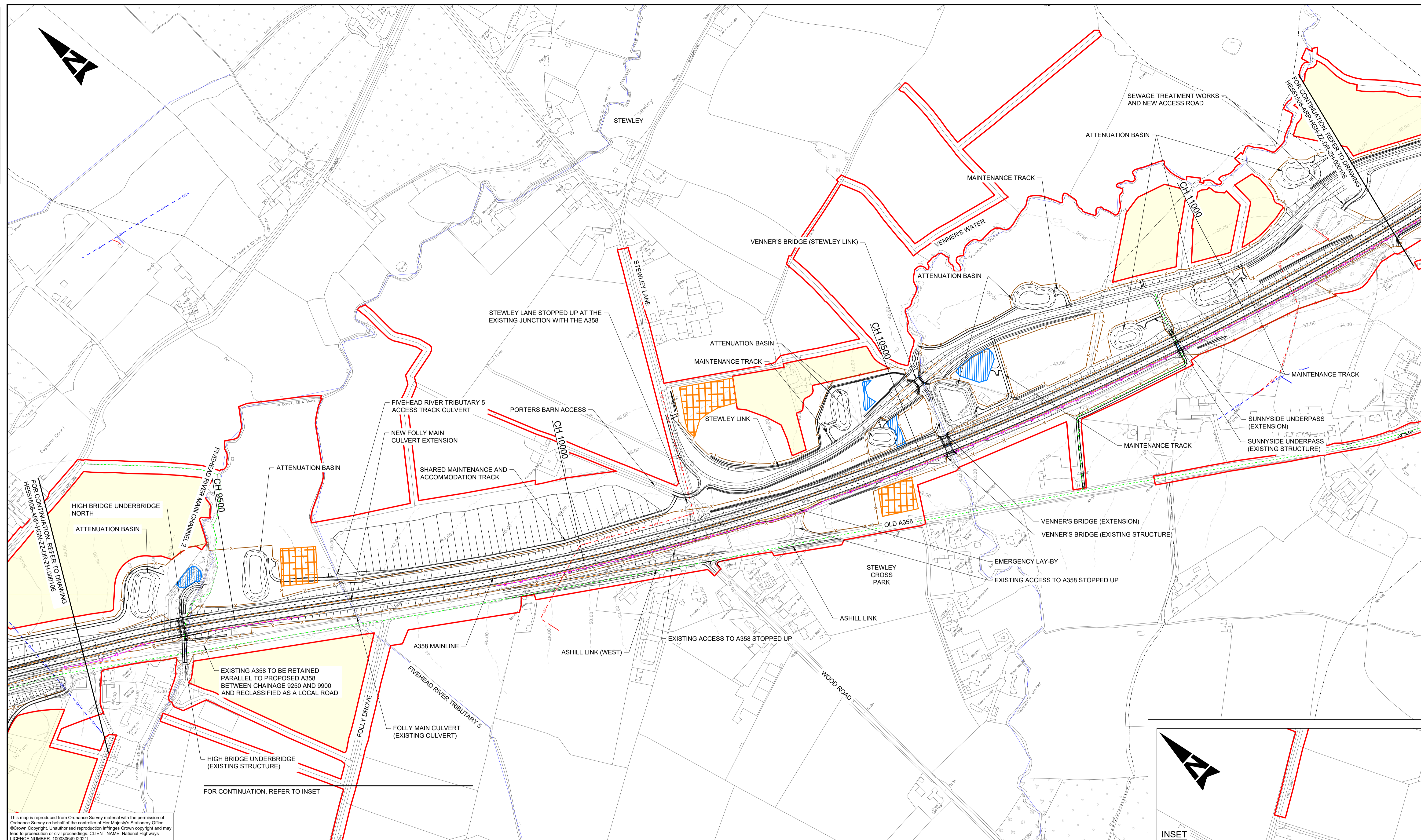
ARUP **RAMBOLL**

national highways

Project Title		A358 TAUNTON TO SOUTHFIELDS DUALLING SCHEME			
Drawing Title		GENERAL ARRANGEMENT - SHEET 6 SECTION 3 BICKENHALL LANE TO CAPLAND			
Scale	By	Checked	Approved	Authorised	
1:2500	EW	RH	MK	SV	
Original Size	Date	Date	Date	Date	
A1	06/05/22	06/05/22	09/05/22	09/05/22	
Drawing Number	HE PIN	Originator	Volume	Revision	
HE551508 - ZZ	HE551508-ARP-ENM-ML_A358_Z-DR-CH-000001-000004	ARP	HGN	P01	
Location	Type	Role	Number		
ZZ	-DR-ZH-000106				

DO NOT SCALE

100
0 10
Millimetres



This map is reproduced from Ordnance Survey material with the permission of Ordnance Survey on behalf of the controller of Her Majesty's Stationery Office. © Crown Copyright. Unauthorised reproduction infringes Crown copyright and may lead to prosecution or civil proceedings. CLIENT NAME: National Highways LICENCE NUMBER: 100030649 (2021)

KEY		KEY PLAN	
	SCHEME BOUNDARY		EXISTING PUBLIC RIGHT OF WAY
	AREAS EXCLUDED FROM THE SCHEME BOUNDARY		PROPOSED VEHICLE RESTRAINT SYSTEM
	HIGH VOLTAGE (11kV) UNDERGROUND ELECTRICITY CABLE		PROPOSED NOISE BARRIER
	HIGH AND LOW VOLTAGE OVERHEAD LINE		CULVERT STRUCTURES
	HIGH PRESSURE GAS MAIN		SITE COMPOUND
	BLIGHTED PROPERTIES		
	PROPOSED FLOOD COMPENSATION AREA		
	PROPOSED FLOOD COMPENSATION DITCH		
	HIGHWAY FENCING WITH MAMMAL PROOFING		
	EXISTING WATERCOURSE		
	PROPOSED WALKING, CYCLING, HORSE RIDING ROUTE (WCH)		

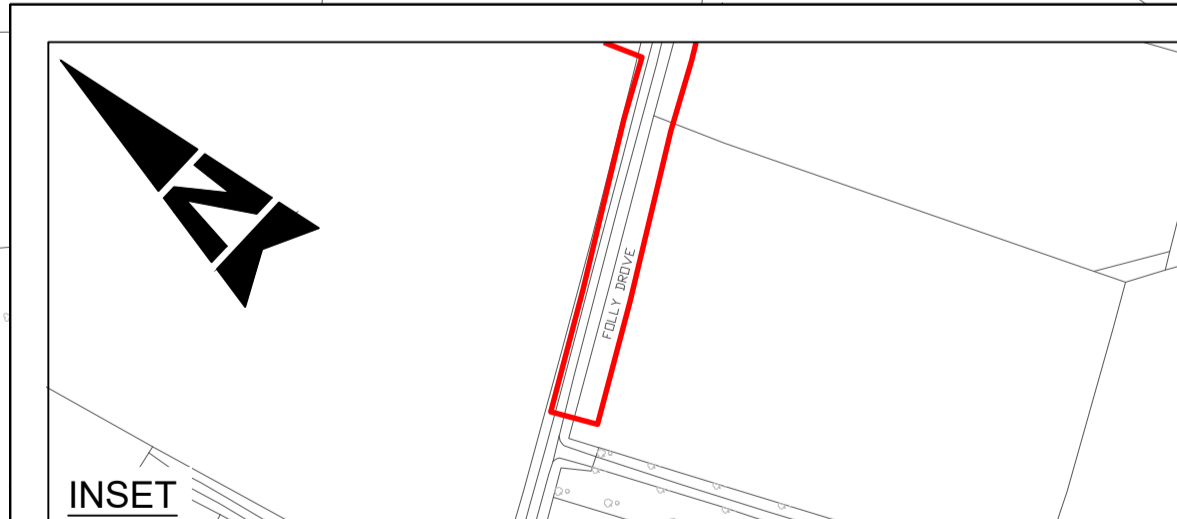
NOTES

- ALL DIMENSIONS ARE IN METRES UNLESS NOTED OTHERWISE.
- ONLY WRITTEN DIMENSIONS SHALL BE USED, DO NOT SCALE.
- HIGH RISK UTILITIES SHOWN ON THESE DRAWINGS ARE SHOWN INDICATIVELY AND BASED ON INFORMATION PROVIDED BY OTHERS. THEREFORE ITS ACCURACY CANNOT BE GUARANTEED. OTHER EXISTING SERVICES MAY ALSO BE PRESENT.
- FOR MORE DETAILS ON PROPOSED AND EXISTING WALKING, CYCLING AND HORSE RIDING ROUTES REFER TO DRAWINGS HE551508-ARP-ENM-ML_A358_Z-DR-CH-000001-000004.
- THE DESIGN INFORMATION PRESENTED ON THIS DRAWING REPRESENTS DEVELOPING PRELIMINARY DESIGN AND WILL BE SUBJECT TO ONGOING REVIEW AND REFINEMENT.

Rev.	Date	Description	By	Chk'd	App'd	Auth'd
P01	06/05/22	ISSUED FOR INFORMATION	EW	RH	MK	SV

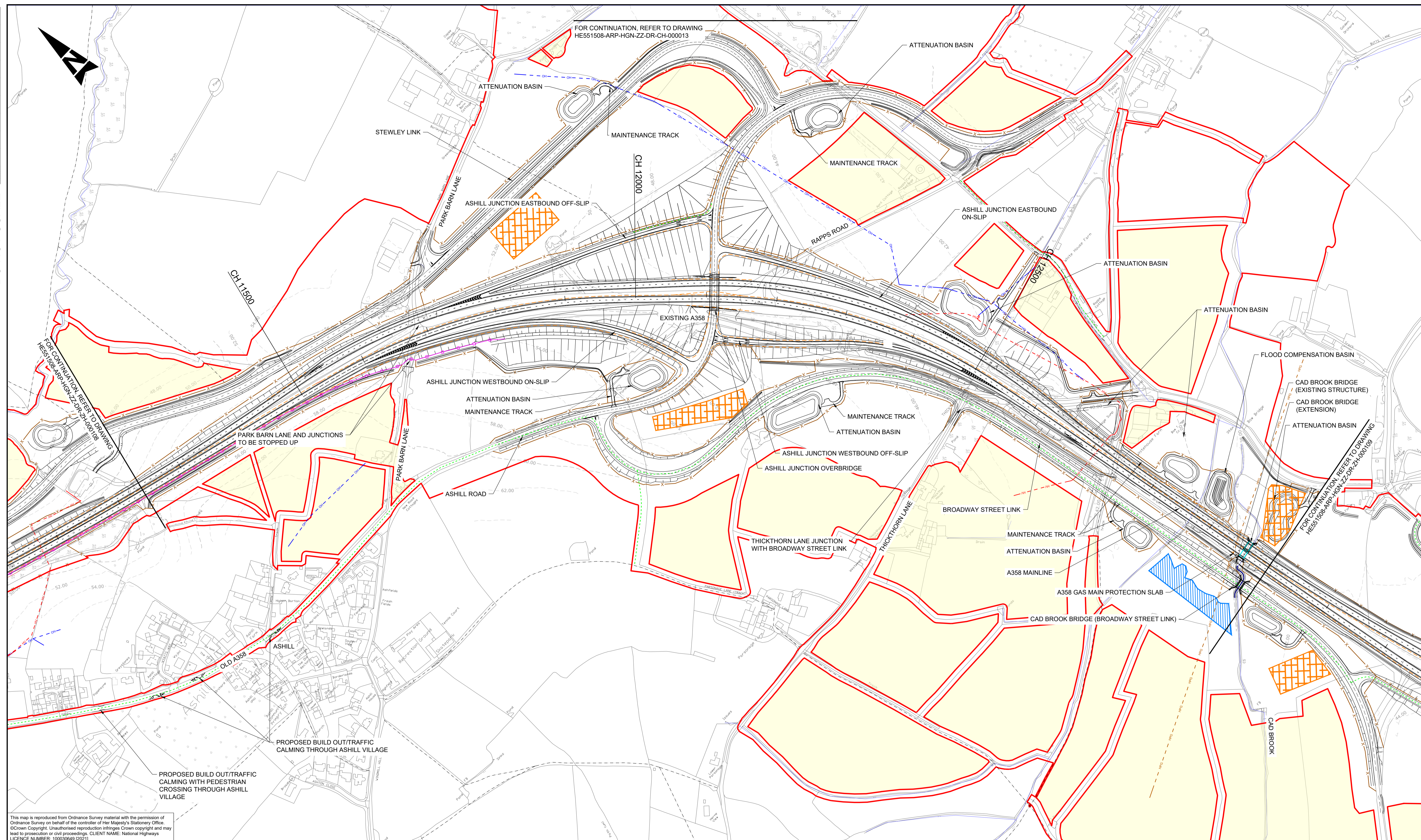
Suitability	Drawing Status
S2	SUITABLE FOR INFORMATION
Client	

Project Title						A358 TAUNTON TO SOUTHFIELDS DUALLING SCHEME					
Drawing Title						GENERAL ARRANGEMENT - SHEET 7 SECTION 3 CAPLAND TO ASHILL JUNCTION					
Scale	By	Checked	Approved	Authorised		Scale	By	Checked	Approved	Authorised	
1:2500	EW	RH	MK	SV		1:2500	EW	RH	MK	SV	
Original Size	Date	Date	Date	Date		Original Size	Date	Date	Date	Date	
A1	06/05/22	06/05/22	09/05/22	09/05/22		A1	06/05/22	06/05/22	09/05/22	09/05/22	
Drawing Number		Originator		Volume		Drawing Number		Originator		Volume	
HE551508 - ZZ		ARP		HGN		HE551508 - ZZ		ARP		HGN	
Location		Type		Role		Location		Type		Role	



DO NOT SCALE

0 10 100
Millimetres

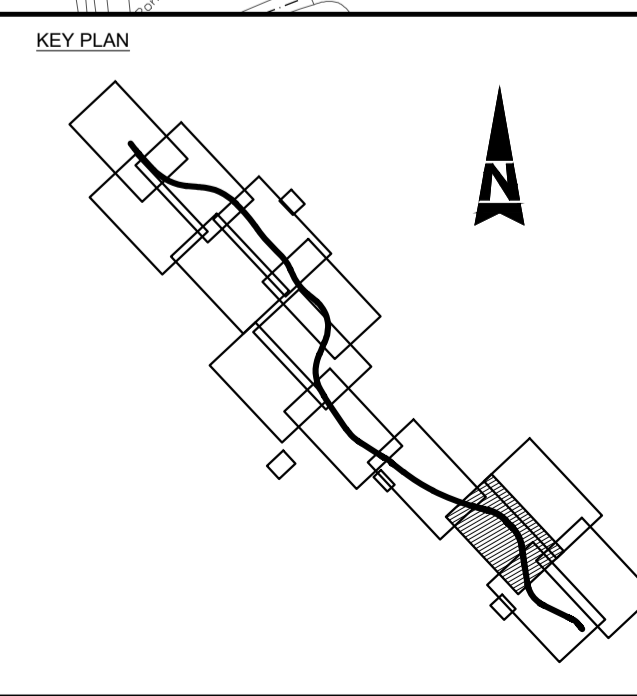


This map is reproduced from Ordnance Survey material with the permission of Ordnance Survey on behalf of the controller of Her Majesty's Stationery Office. © Crown Copyright. Unauthorised reproduction infringes Crown copyright and may lead to prosecution or civil proceedings. CLIENT NAME: National Highways LICENCE NUMBER: 100030649 (2021)

KEY

	SCHEME BOUNDARY
	AREAS EXCLUDED FROM THE SCHEME BOUNDARY
	HIGH VOLTAGE (11kV) UNDERGROUND ELECTRICITY CABLE
	HIGH AND LOW VOLTAGE OVERHEAD LINE
	HIGH PRESSURE GAS MAIN
	BLIGHTED PROPERTIES
	PROPOSED FLOOD COMPENSATION AREA
	PROPOSED FLOOD COMPENSATION DITCH
	HIGHWAY FENCING WITH MAMMAL PROOFING
	EXISTING WATERCOURSE
	PROPOSED WALKING, CYCLING, HORSE RIDING ROUTE (WCH)

- EXISTING PUBLIC RIGHT OF WAY**
- EXISTING PUBLIC RIGHT OF WAY
 - PROPOSED VEHICLE RESTRAINT SYSTEM
 - PROPOSED NOISE BARRIER
 - CULVERT STRUCTURES
 - SITE COMPOUND
- NOTES**
- ALL DIMENSIONS ARE IN METRES UNLESS NOTED OTHERWISE.
 - ONLY WRITTEN DIMENSIONS SHALL BE USED, DO NOT SCALE.
 - HIGH RISK UTILITIES SHOWN ON THESE DRAWINGS ARE SHOWN INDICATIVELY AND BASED ON INFORMATION PROVIDED BY OTHERS. THEREFORE ITS ACCURACY CANNOT BE GUARANTEED. OTHER EXISTING SERVICES MAY ALSO BE PRESENT.
 - FOR MORE DETAILS ON PROPOSED AND EXISTING WALKING, CYCLING AND HORSE RIDING ROUTES REFER TO DRAWINGS HE551508-ARP-ENM-ML_A358_Z-DR-CH-000001-000004.
 - THE DESIGN INFORMATION PRESENTED ON THIS DRAWING REPRESENTS DEVELOPING PRELIMINARY DESIGN AND WILL BE SUBJECT TO ONGOING REVIEW AND REFINEMENT.



Rev	Date	Description	By	Chk'd	App'd	Auth'd
P01	06/05/22	ISSUED FOR INFORMATION	EW	RH	MK	SV

S2 SUITABLE FOR INFORMATION

TAYLOR WOODROW
together @ VINCI

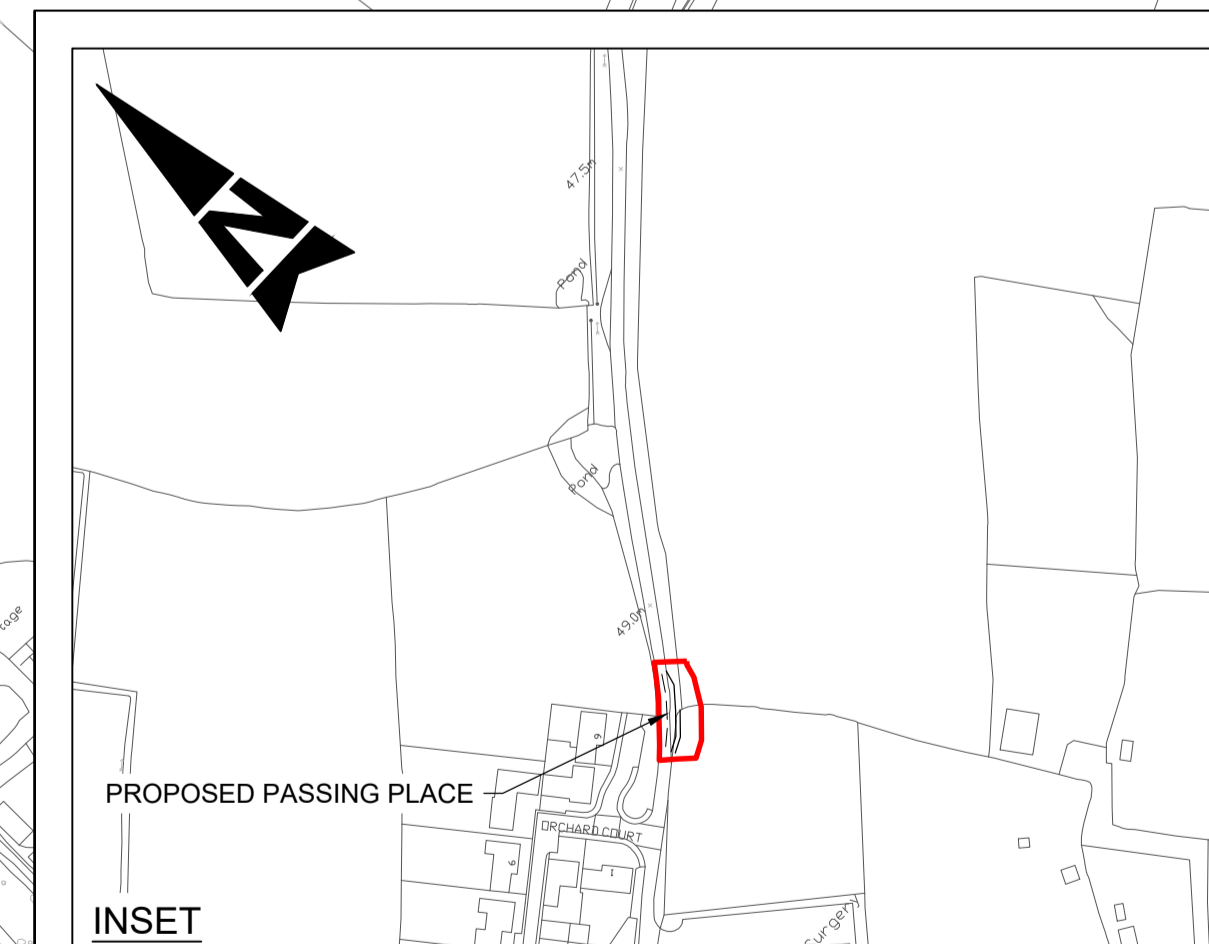
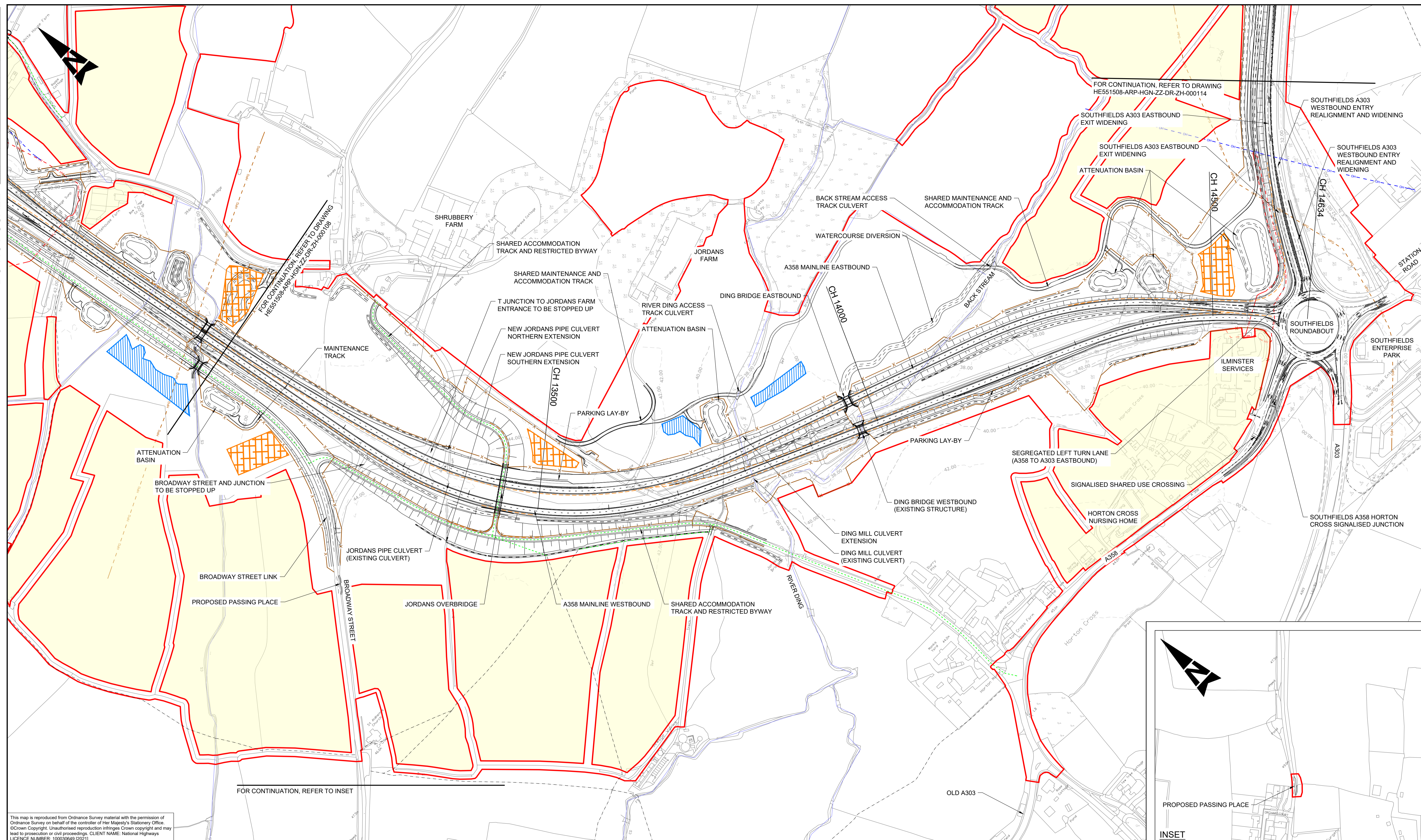
ARUP **RAMBOLL**

national highways

Project Title						A358 TAUNTON TO SOUTHFIELDS DUALLING SCHEME					
Drawing Title						GENERAL ARRANGEMENT - SHEET 8 SECTION 4 ASHILL JUNCTION					
Scale	N/A	By	EW	Checked	RH	Approved	MK	Authorised	SV		
Original Size	A1	Date	06/05/22	Date	06/05/22	Date	09/05/22	Date	09/05/22		
Drawing Number	HE551508 - ZZ	Originator	ARP	Volume	HGN	-DR-ZH-000108		Revision	P01		
Location		Type		Role		Number					

DO NOT SCALE

100
0 10
Millimetres



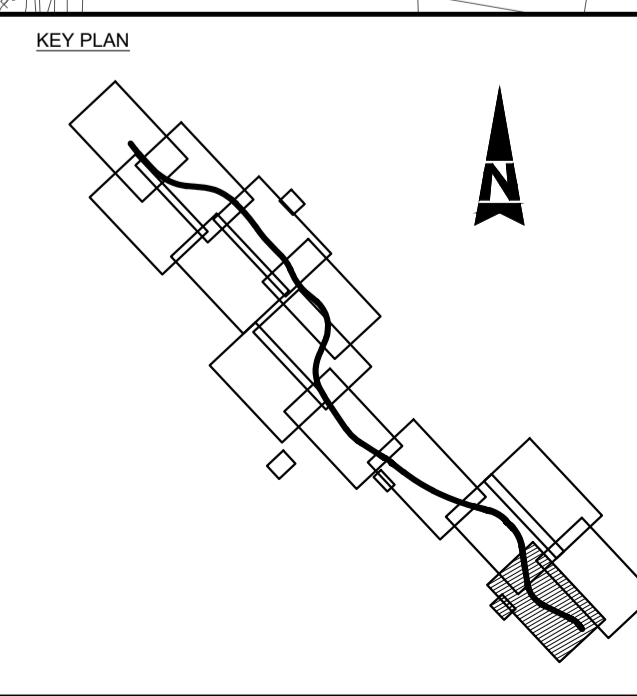
This map is reproduced from Ordnance Survey material with the permission of Ordnance Survey on behalf of the controller of Her Majesty's Stationery Office. © Crown Copyright. Unauthorised reproduction infringes Crown copyright and may lead to prosecution or civil proceedings. CLIENT NAME: National Highways LICENCE NUMBER: 100030649 (2021)

KEY

	SCHEME BOUNDARY
	AREAS EXCLUDED FROM THE SCHEME BOUNDARY
	HIGH VOLTAGE (11kV) UNDERGROUND ELECTRICITY CABLE
	HIGH AND LOW VOLTAGE OVERHEAD LINE
	HIGH PRESSURE GAS MAIN
	BLIGHTED PROPERTIES
	PROPOSED FLOOD COMPENSATION AREA
	PROPOSED FLOOD COMPENSATION DITCH
	HIGHWAY FENCING WITH MAMMAL PROOFING
	EXISTING WATERCOURSE
	PROPOSED WALKING, CYCLING, HORSE RIDING ROUTE (WCH)
	EXISTING PUBLIC RIGHT OF WAY
	PROPOSED VEHICLE RESTRAINT SYSTEM
	PROPOSED NOISE BARRIER
	CULVERT STRUCTURES
	SITE COMPOUND

NOTES

- ALL DIMENSIONS ARE IN METRES UNLESS NOTED OTHERWISE.
- ONLY WRITTEN DIMENSIONS SHALL BE USED, DO NOT SCALE.
- HIGH RISK UTILITIES SHOWN ON THESE DRAWINGS ARE SHOWN INDICATIVELY AND BASED ON INFORMATION PROVIDED BY OTHERS. THEREFORE ITS ACCURACY CANNOT BE GUARANTEED. OTHER EXISTING SERVICES MAY ALSO BE PRESENT.
- FOR MORE DETAILS ON PROPOSED AND EXISTING WALKING, CYCLING AND HORSE RIDING ROUTES REFER TO DRAWINGS HE551508-ARP-ENM-ML_A358_Z-DR-CH-000001-000004.
- THE DESIGN INFORMATION PRESENTED ON THIS DRAWING REPRESENTS DEVELOPING PRELIMINARY DESIGN AND WILL BE SUBJECT TO ONGOING REVIEW AND REFINEMENT.



Rev.	Date	Description	By	Chk'd	App'd	Auth'd
P01	06/05/22	ISSUED FOR INFORMATION	EW	RH	MK	SV

S2 SUITABLE FOR INFORMATION

TAYLOR WOODROW
together @ VINCI

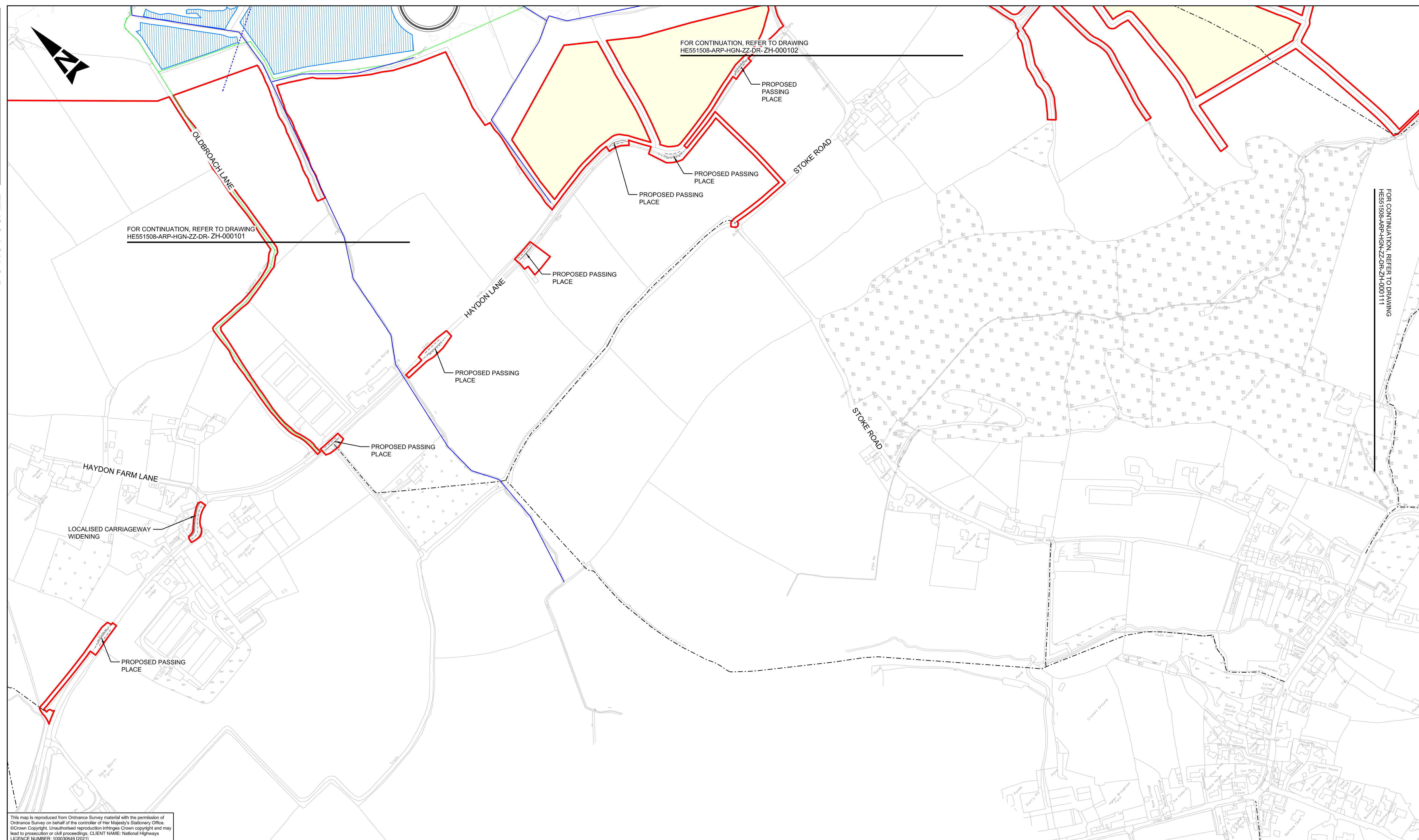
ARUP **RAMBOLL**

national highways

Project Title A358 TAUNTON TO SOUTHFIELDS DUALLING SCHEME					
Drawing Title GENERAL ARRANGEMENT - SHEET 9 SECTION 4 ASHILL JUNCTION TO SOUTHFIELDS ROUNDABOUT					
Scale N/A	By EW	Checked RH	Approved MK	Authorised SV	
Original Size A1	Date 06/05/22	Date 06/05/22	Date 09/05/22	Date 09/05/22	Date 09/05/22
Drawing Number HE551508 - ZZ	Originator ARP	Volume - DR - ZH - 000109	Revision P01		
Location	Type	Role	Number		

DO NOT SCALE

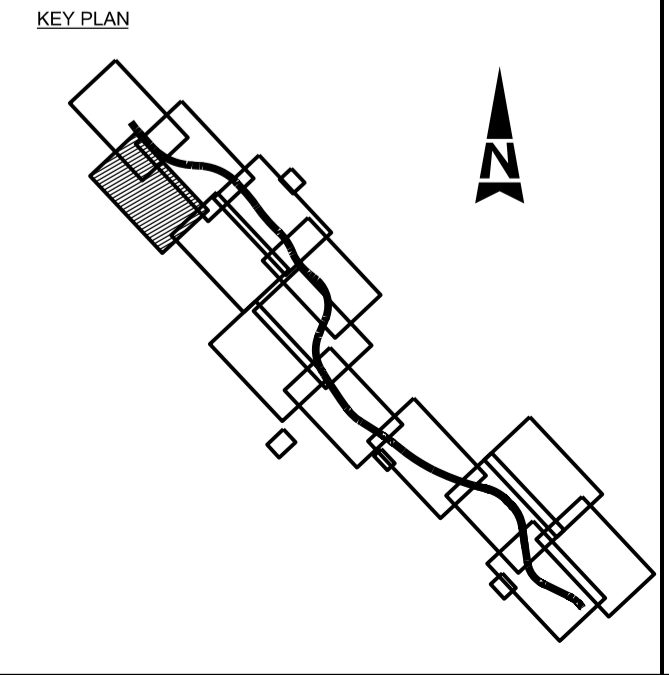
100
0 10
Millimetres



This map is reproduced from Ordnance Survey material with the permission of Ordnance Survey on behalf of the controller of Her Majesty's Stationery Office. © Crown Copyright. Unauthorised reproduction infringes Crown copyright and may lead to prosecution or civil proceedings. CLIENT NAME: National Highways LICENCE NUMBER: 100030649 (2021)

KEY	
	SCHEME BOUNDARY
	AREAS EXCLUDED FROM THE SCHEME BOUNDARY
	HIGH VOLTAGE (11kV) UNDERGROUND ELECTRICITY CABLE
	HIGH AND LOW VOLTAGE OVERHEAD LINE
	HIGH PRESSURE GAS MAIN
	BLIGHTED PROPERTIES
	PROPOSED FLOOD COMPENSATION AREA
	PROPOSED FLOOD COMPENSATION DITCH
	HIGHWAY FENCING WITH MAMMAL PROOFING
	EXISTING WATERCOURSE
	PROPOSED WALKING, CYCLING, HORSE RIDING ROUTE (WCH)

KEY PLAN	
	EXISTING PUBLIC RIGHT OF WAY
	PROPOSED VEHICLE RESTRAINT SYSTEM
	PROPOSED NOISE BARRIER
	CULVERT STRUCTURES
	SITE COMPOUND



- NOTES**
1. ALL DIMENSIONS ARE IN METRES UNLESS NOTED OTHERWISE.
 2. ONLY WRITTEN DIMENSIONS SHALL BE USED, DO NOT SCALE.
 3. HIGH RISK UTILITIES SHOWN ON THESE DRAWINGS ARE SHOWN INDICATIVELY AND BASED ON INFORMATION PROVIDED BY OTHERS. THEREFORE ITS ACCURACY CANNOT BE GUARANTEED. OTHER EXISTING SERVICES MAY ALSO BE PRESENT.
 4. FOR MORE DETAILS ON PROPOSED AND EXISTING WALKING, CYCLING AND HORSE RIDING ROUTES REFER TO DRAWINGS HE551508-ARP-ENM-ML_A358_Z-DR-CH-000001-000004.
 5. THE DESIGN INFORMATION PRESENTED ON THIS DRAWING REPRESENTS DEVELOPING PRELIMINARY DESIGN AND WILL BE SUBJECT TO ONGOING REVIEW AND REFINEMENT.

Rev.	Date	Description	By	Chk'd	App'd	Auth'd
P01	06/05/22	ISSUED FOR INFORMATION	EW	RH	MK	SV

Client: **national highways**

ARUP | RAMBOLL

TAYLOR WOODROW together @ VINCI

Project Title: A358 TAUNTON TO SOUTHFIELDS DUALLING SCHEME					
Drawing Title: GENERAL ARRANGEMENT - SHEET 10 SECTION 1 SOUTH OF A358					
Scale: N/A	By: EW	Checked: RH	Approved: MK	Authorised: SV	
Original Size: A1	Date: 06/05/22	Date: 06/05/22	Date: 09/05/22	Date: 09/05/22	
Drawing Number: HE551508 - ZZ	Originator: ARP	Volume: HGN	Revision: P01		
Location: ZZ	Type: -DR	Role: -ZH	Number: 000110		

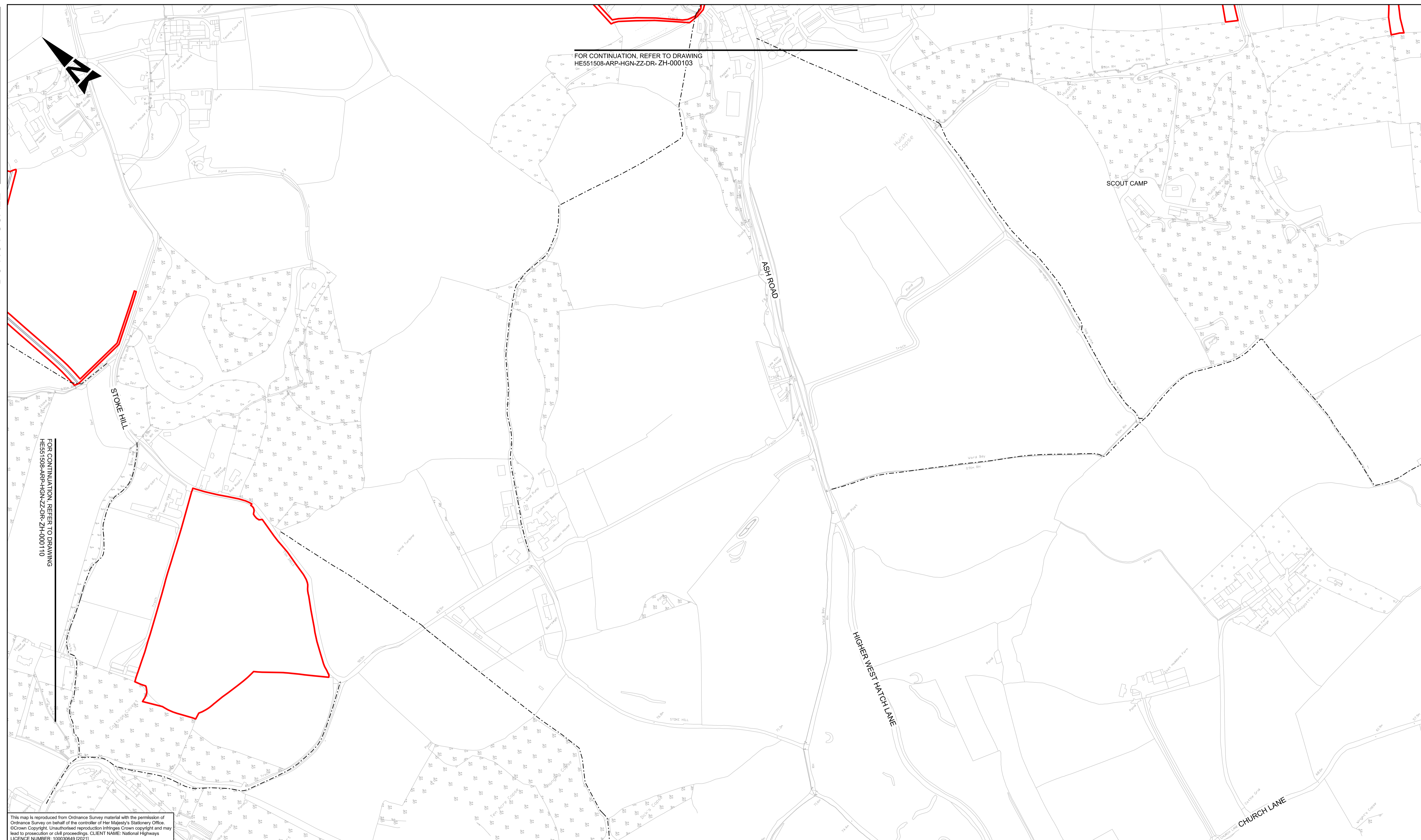
FOR CONTINUATION, REFER TO DRAWING HE551508-ARP-HGN-ZZ-DR-ZH-000111

FOR CONTINUATION, REFER TO DRAWING HE551508-ARP-HGN-ZZ-DR-ZH-000102

FOR CONTINUATION, REFER TO DRAWING HE551508-ARP-HGN-ZZ-DR-ZH-000101

DO NOT SCALE

0 10 100
Millimetres

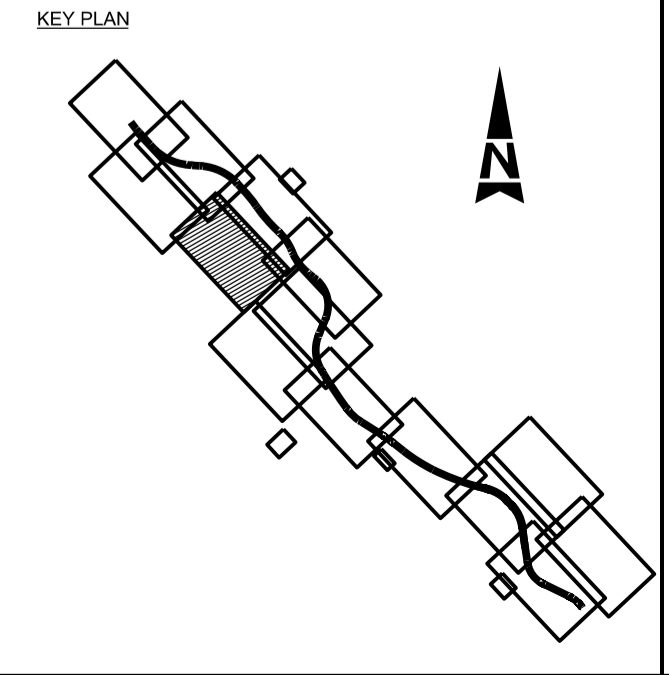


FOR CONTINUATION, REFER TO DRAWING
HE551508-ARP-HGN-ZZ-DR-ZH-000110

This map is reproduced from Ordnance Survey material with the permission of Ordnance Survey on behalf of the controller of Her Majesty's Stationery Office. © Crown Copyright. Unauthorised reproduction infringes Crown copyright and may lead to prosecution or civil proceedings. CLIENT NAME: National Highways LICENCE NUMBER: 100030649 (2021)

KEY	
	SCHEME BOUNDARY
	AREAS EXCLUDED FROM THE SCHEME BOUNDARY
	HIGH VOLTAGE (11kV) UNDERGROUND ELECTRICITY CABLE
	HIGH AND LOW VOLTAGE OVERHEAD LINE
	HIGH PRESSURE GAS MAIN
	BLIGHTED PROPERTIES
	PROPOSED FLOOD COMPENSATION AREA
	PROPOSED FLOOD COMPENSATION DITCH
	HIGHWAY FENCING WITH MAMMAL PROOFING
	EXISTING WATERCOURSE
	PROPOSED WALKING, CYCLING, HORSE RIDING ROUTE (WCH)

	EXISTING PUBLIC RIGHT OF WAY
	PROPOSED VEHICLE RESTRAINT SYSTEM
	PROPOSED NOISE BARRIER
	CULVERT STRUCTURES
	SITE COMPOUND



- NOTES**
1. ALL DIMENSIONS ARE IN METRES UNLESS NOTED OTHERWISE.
 2. ONLY WRITTEN DIMENSIONS SHALL BE USED, DO NOT SCALE.
 3. HIGH RISK UTILITIES SHOWN ON THESE DRAWINGS ARE SHOWN INDICATIVELY AND BASED ON INFORMATION PROVIDED BY OTHERS. THEREFORE ITS ACCURACY CANNOT BE GUARANTEED. OTHER EXISTING SERVICES MAY ALSO BE PRESENT.
 4. FOR MORE DETAILS ON PROPOSED AND EXISTING WALKING, CYCLING AND HORSE RIDING ROUTES REFER TO DRAWINGS HE551508-ARP-ENM-ML_A358_Z-DR-CH-000001-000004.
 5. THE DESIGN INFORMATION PRESENTED ON THIS DRAWING REPRESENTS DEVELOPING PRELIMINARY DESIGN AND WILL BE SUBJECT TO ONGOING REVIEW AND REFINEMENT.

Rev.	Date	Description	By	Chk'd	App'd	Auth'd
P01	06/05/22	ISSUED FOR INFORMATION	EW	RH	MK	SV

Suitability: **S2** | Drawing Status: **SUITABLE FOR INFORMATION**

TAYLOR WOODROW
together @ VINCI

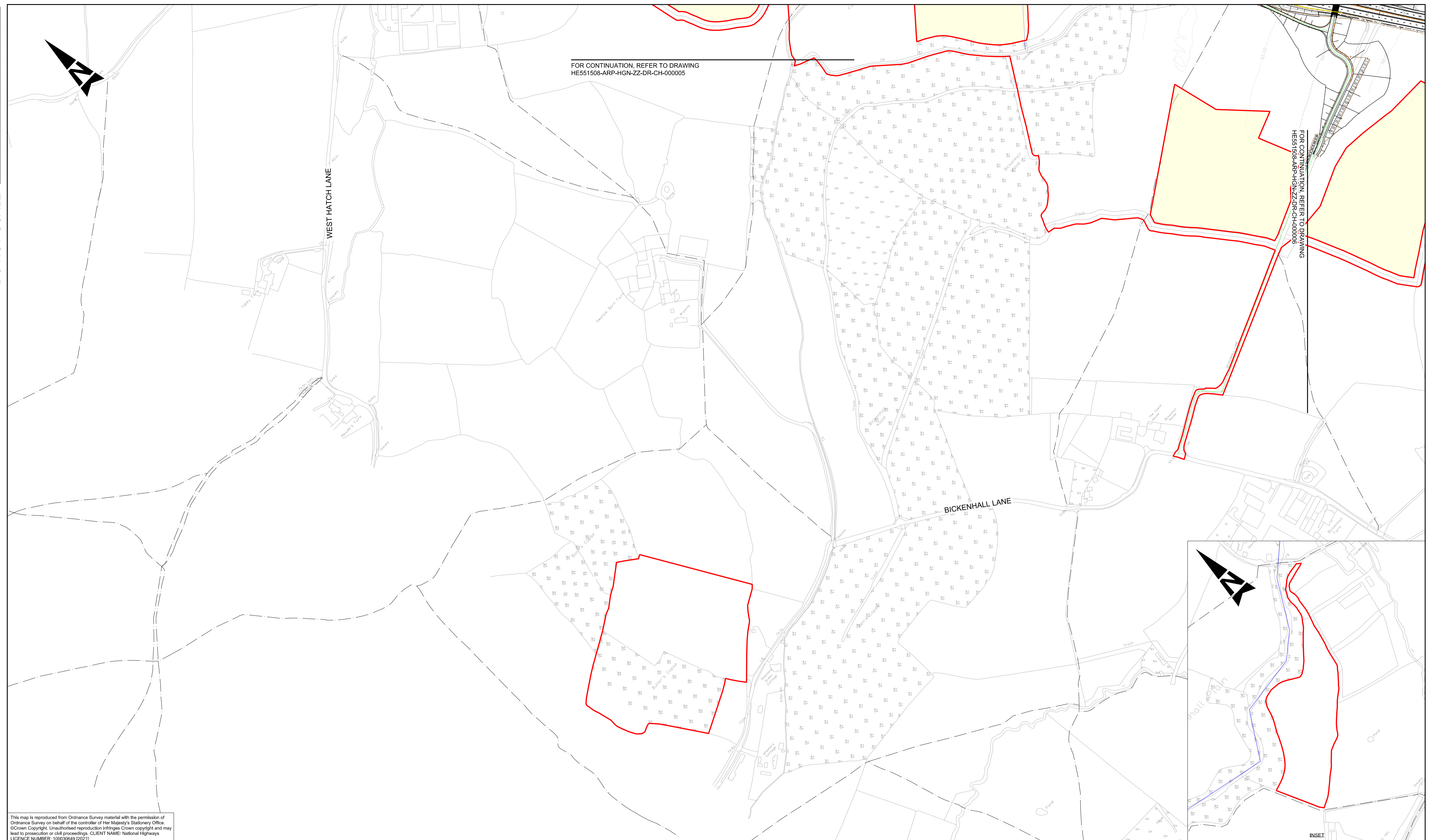
ARUP | **RAMBOLL**

Client: **national highways**

Project Title: A358 TAUNTON TO SOUTHFIELDS DUALLING SCHEME					
Drawing Title: GENERAL ARRANGEMENT - SHEET 11 SECTION 2 SOUTH OF MATTOCK'S TREE GREEN JUNCTION					
Scale: N/A	By: EW	Checked: RH	Approved: MK	Authorised: SV	
Original Size: A1	Date: 06/05/22	Date: 06/05/22	Date: 09/05/22	Date: 09/05/22	Date: 09/05/22
Drawing Number: HE551508 - ZZ	Originator: ARP	Volume: HGN	Revision: -DR - ZH - 000111		Revision: P01
Location	Type	Role	Number		

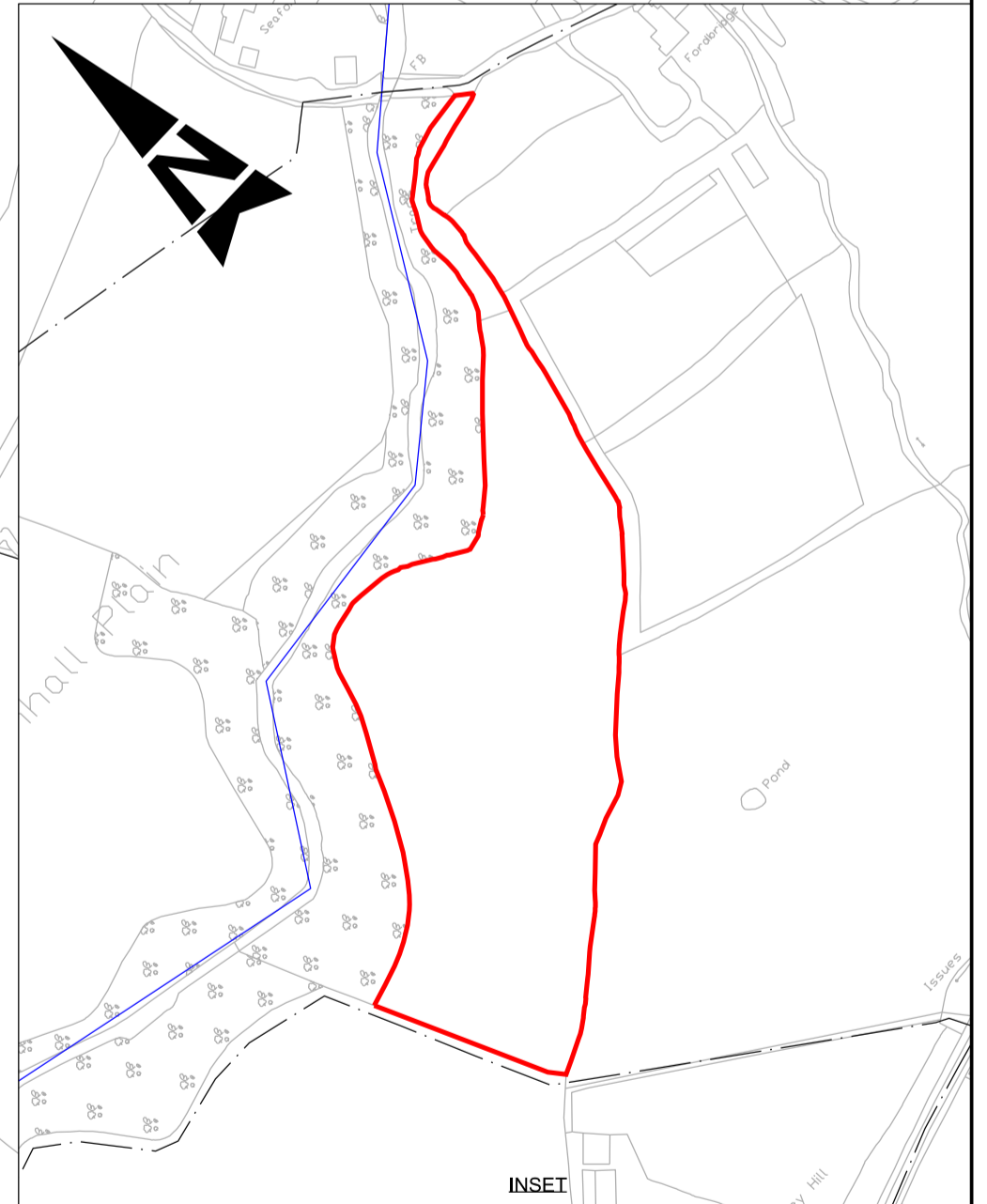
DO NOT SCALE

0 10 100
Millimetres



FOR CONTINUATION, REFER TO DRAWING
HE551508-ARP-HGN-ZZ-DR-CH-000005

FOR CONTINUATION, REFER TO DRAWING
HE551508-ARP-HGN-ZZ-DR-CH-000006

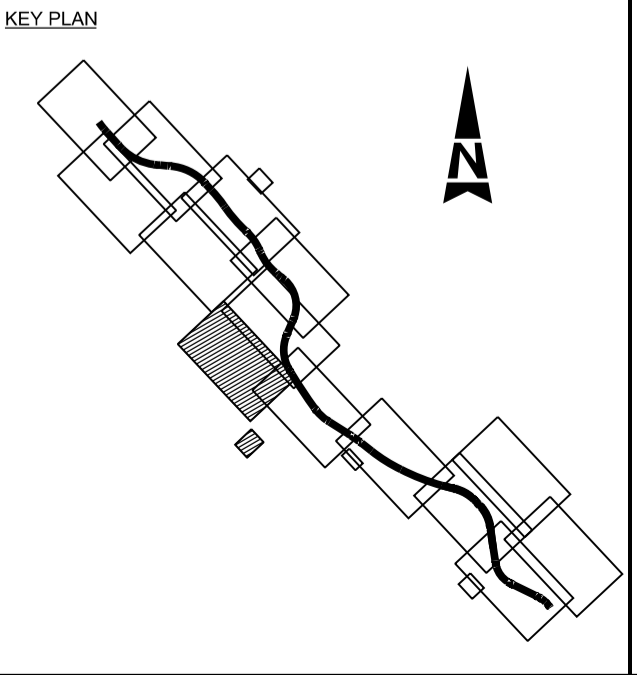


This map is reproduced from Ordnance Survey material with the permission of Ordnance Survey on behalf of the controller of Her Majesty's Stationery Office. © Crown Copyright. Unauthorised reproduction infringes Crown copyright and may lead to prosecution or civil proceedings. CLIENT NAME: National Highways LICENCE NUMBER: 100030649 (2021)

KEY	
	SCHEME BOUNDARY
	AREAS EXCLUDED FROM THE SCHEME BOUNDARY
	HIGH VOLTAGE (11kV) UNDERGROUND ELECTRICITY CABLE
	HIGH AND LOW VOLTAGE OVERHEAD LINE
	HIGH PRESSURE GAS MAIN
	BLIGHTED PROPERTIES
	PROPOSED FLOOD COMPENSATION AREA
	PROPOSED FLOOD COMPENSATION DITCH
	HIGHWAY FENCING WITH MAMMAL PROOFING
	EXISTING WATERCOURSE
	PROPOSED WALKING, CYCLING, HORSE RIDING ROUTE (WCH)
	EXISTING PUBLIC RIGHT OF WAY
	PROPOSED VEHICLE RESTRAINT SYSTEM
	PROPOSED NOISE BARRIER
	CULVERT STRUCTURES
	SITE COMPOUND

NOTES

1. ALL DIMENSIONS ARE IN METRES UNLESS NOTED OTHERWISE.
2. ONLY WRITTEN DIMENSIONS SHALL BE USED, DO NOT SCALE.
3. HIGH RISK UTILITIES SHOWN ON THESE DRAWINGS ARE SHOWN INDICATIVELY AND BASED ON INFORMATION PROVIDED BY OTHERS. THEREFORE ITS ACCURACY CANNOT BE GUARANTEED. OTHER EXISTING SERVICES MAY ALSO BE PRESENT.
4. FOR MORE DETAILS ON PROPOSED AND EXISTING WALKING, CYCLING AND HORSE RIDING ROUTES REFER TO DRAWINGS HE551508-ARP-ENM-ML_A358_Z-DR-CH-000001-000004.
5. THE DESIGN INFORMATION PRESENTED ON THIS DRAWING REPRESENTS DEVELOPING PRELIMINARY DESIGN AND WILL BE SUBJECT TO ONGOING REVIEW AND REFINEMENT.

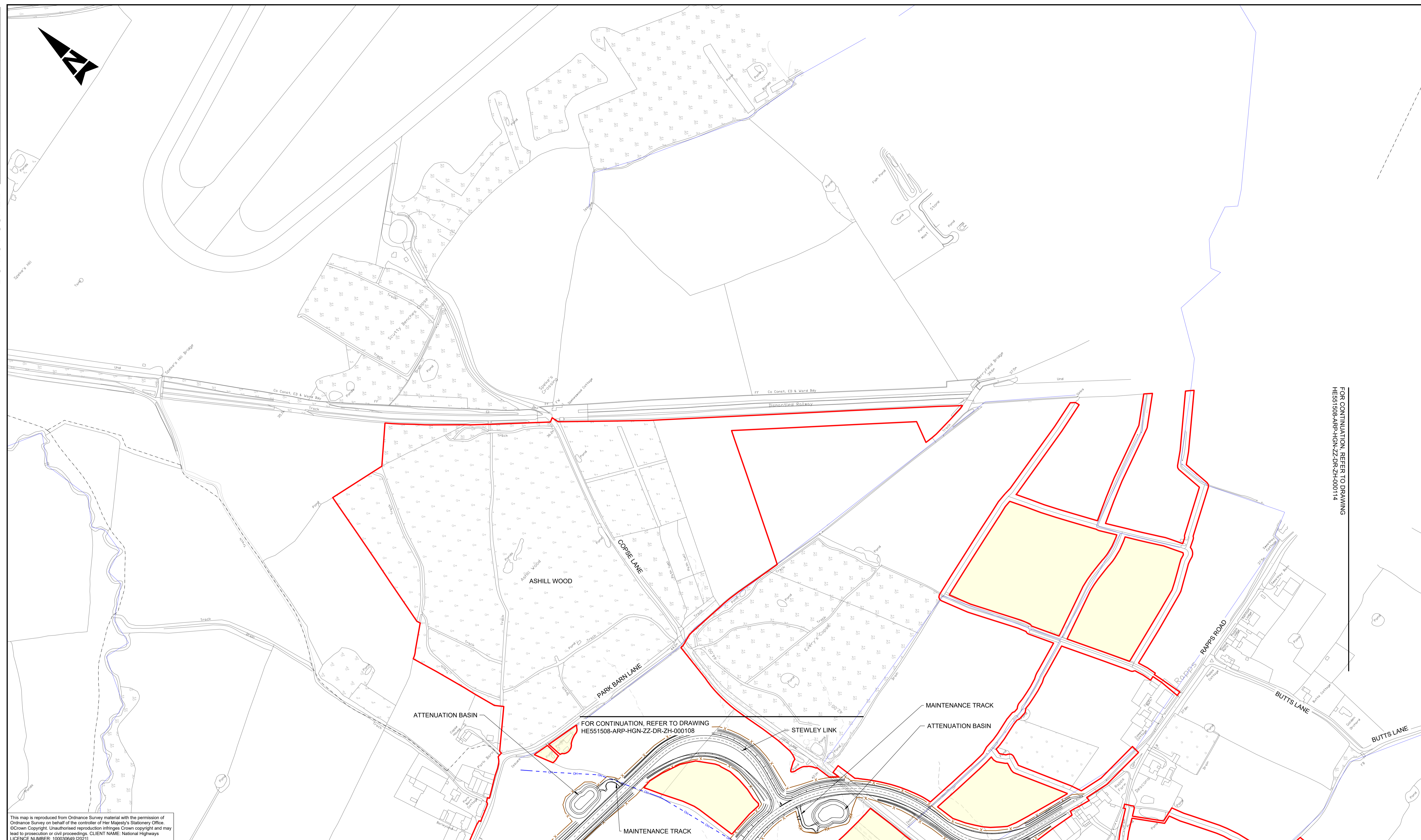


Rev.	Date	Description	By	Chk'd	App'd	Auth'd
P01	06/05/22	ISSUED FOR INFORMATION	EW	RH	MK	SV

Project Title		A358 TAUNTON TO SOUTHFIELDS DUALLING SCHEME			
Drawing Title		GENERAL ARRANGEMENT - SHEET 12 SECTION 2 SOUTH OF GRIFFIN LANE			
Scale	N/A	By	EW	Checked	RH
Original Size	A1	Date	06/05/22	Date	06/05/22
Approved	MK	Date	09/05/22	Authorised	SV
Drawing Number	HE551508 - ZZ	Originator	ARP	Volume	HGN
Location		Type	-DR-ZH	Number	000112
Revision	P01				

DO NOT SCALE

0 10 100
Millimetres



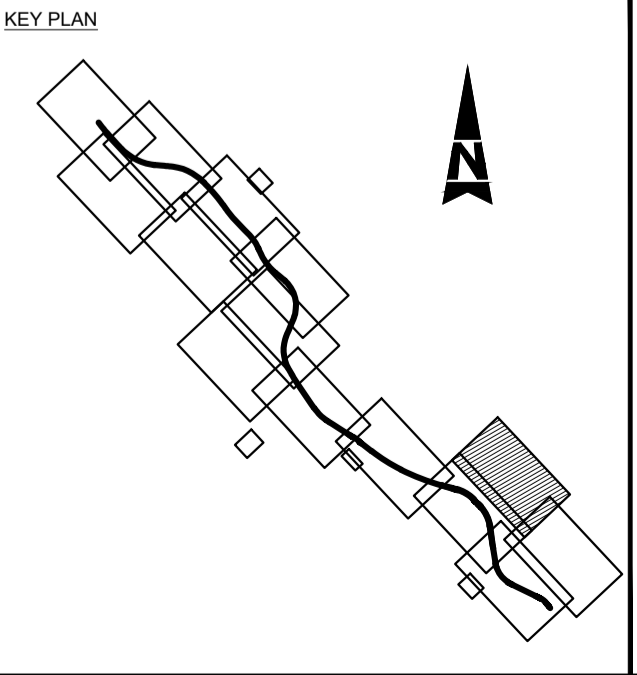
FOR CONTINUATION, REFER TO DRAWING
HE551508-ARP-HGN-ZZ-DR-ZH-000114

This map is reproduced from Ordnance Survey material with the permission of Ordnance Survey on behalf of the controller of Her Majesty's Stationery Office. © Crown Copyright. Unauthorised reproduction infringes Crown copyright and may lead to prosecution or civil proceedings. CLIENT NAME: National Highways LICENCE NUMBER: 100030649 (2021)

KEY

SCHEME BOUNDARY	EXISTING PUBLIC RIGHT OF WAY
AREAS EXCLUDED FROM THE SCHEME BOUNDARY	PROPOSED VEHICLE RESTRAINT SYSTEM
HIGH VOLTAGE (11kV) UNDERGROUND ELECTRICITY CABLE	PROPOSED NOISE BARRIER
HIGH AND LOW VOLTAGE OVERHEAD LINE	CULVERT STRUCTURES
HIGH PRESSURE GAS MAIN	SITE COMPOUND
BLIGHTED PROPERTIES	
PROPOSED FLOOD COMPENSATION AREA	
PROPOSED FLOOD COMPENSATION DITCH	
HIGHWAY FENCING WITH MAMMAL PROOFING	
EXISTING WATERCOURSE	
PROPOSED WALKING, CYCLING, HORSE RIDING ROUTE (WCH)	

- NOTES**
1. ALL DIMENSIONS ARE IN METRES UNLESS NOTED OTHERWISE.
 2. ONLY WRITTEN DIMENSIONS SHALL BE USED, DO NOT SCALE.
 3. HIGH RISK UTILITIES SHOWN ON THESE DRAWINGS ARE SHOWN INDICATIVELY AND BASED ON INFORMATION PROVIDED BY OTHERS. THEREFORE ITS ACCURACY CANNOT BE GUARANTEED. OTHER EXISTING SERVICES MAY ALSO BE PRESENT.
 4. FOR MORE DETAILS ON PROPOSED AND EXISTING WALKING, CYCLING AND HORSE RIDING ROUTES REFER TO DRAWINGS HE551508-ARP-ENM-ML_A358_Z-DR-CH-000001-000004.
 5. THE DESIGN INFORMATION PRESENTED ON THIS DRAWING REPRESENTS DEVELOPING PRELIMINARY DESIGN AND WILL BE SUBJECT TO ONGOING REVIEW AND REFINEMENT.



FOR CONTINUATION, REFER TO DRAWING
HE551508-ARP-HGN-ZZ-DR-000108

Rev.	Date	Description	By	Chk'd	App'd	Auth'd
P01	06/05/22	ISSUED FOR INFORMATION	EW	RH	MK	SV

S2 SUITABLE FOR INFORMATION

TAYLOR WOODROW
together @ VINCI

ARUP **RAMBOLL**

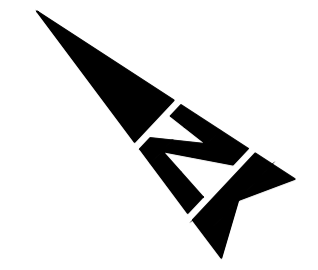
national highways

Project Title A358 TAUNTON TO SOUTHFIELDS DUALLING SCHEME					
Drawing Title GENERAL ARRANGEMENT - SHEET 13 SECTION 4 NORTH OF ASHILL JUNCTION					
Scale N/A	By EW	Checked RH	Approved MK	Authorised SV	
Original Size A1	Date 06/05/22	Date 06/05/22	Date 09/05/22	Date 09/05/22	Date 09/05/22
Drawing Number HE551508 - ZZ	HE PIN ARP	Originator HGN	Volume -DR - ZH - 000113	Revision P01	
Location	Type	Role	Number		

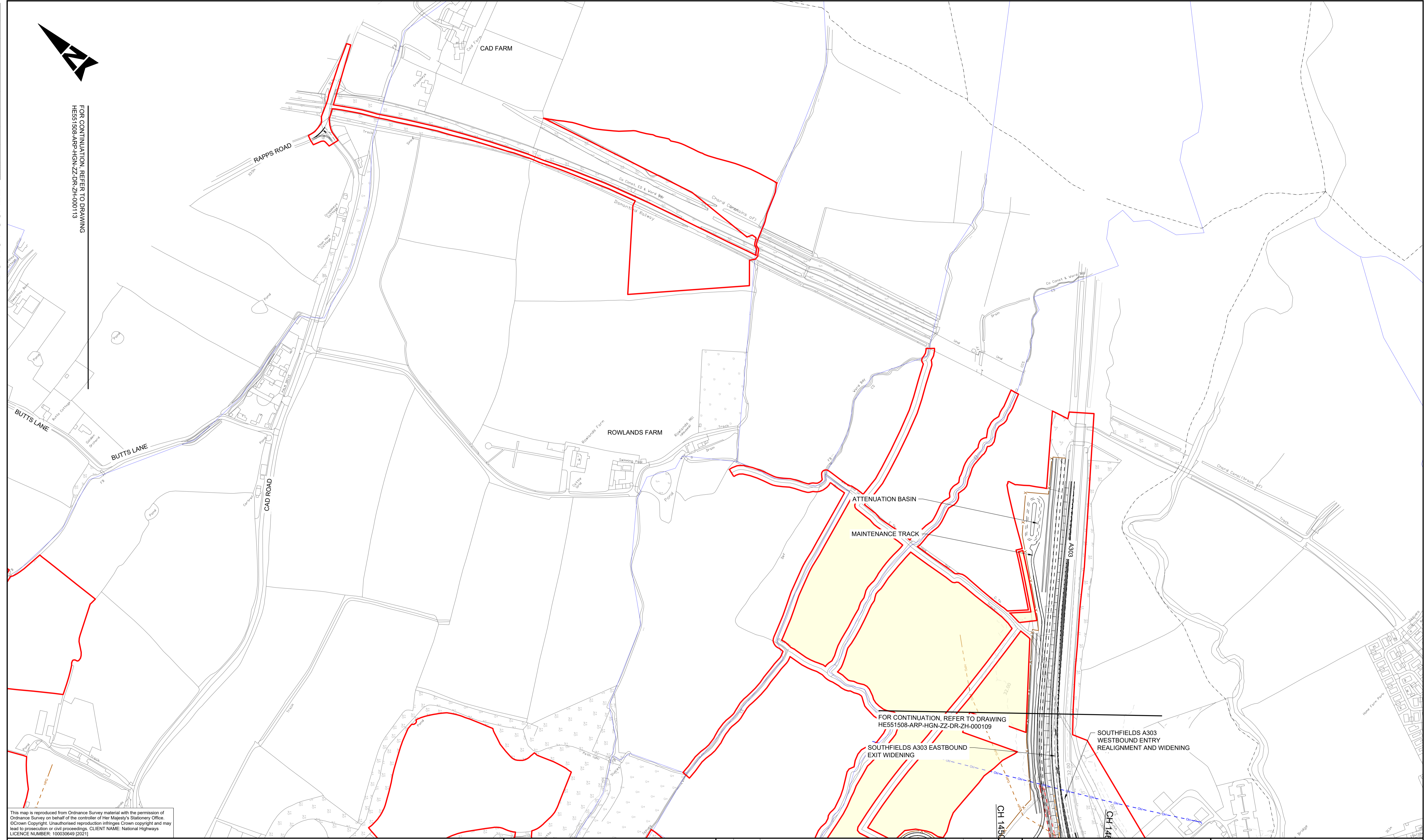
DO NOT SCALE

Millimetres

0 10 100



FOR CONTINUATION, REFER TO DRAWING
HE551508-ARP-HGN-ZZ-DR-2H-00015

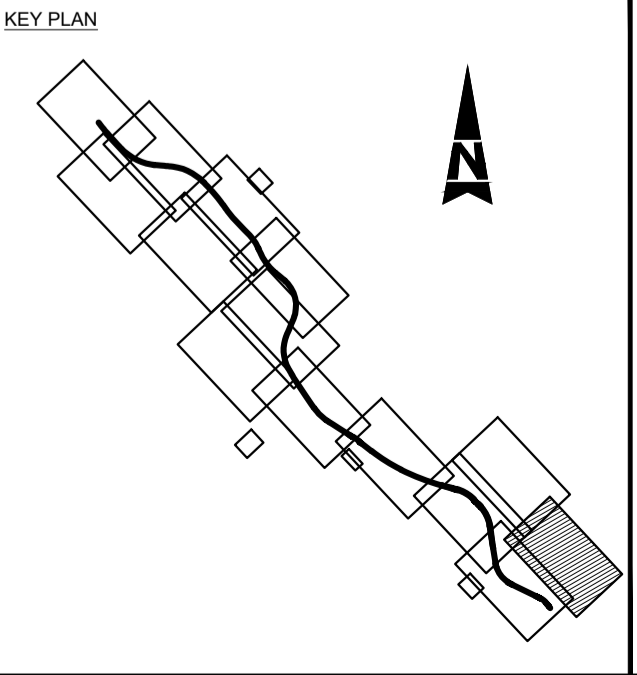


This map is reproduced from Ordnance Survey material with the permission of Ordnance Survey on behalf of the controller of Her Majesty's Stationery Office. © Crown Copyright. Unauthorised reproduction infringes Crown copyright and may lead to prosecution or civil proceedings. CLIENT NAME: National Highways LICENCE NUMBER: 100030649 (2021)

KEY

- SCHEME BOUNDARY
- AREAS EXCLUDED FROM THE SCHEME BOUNDARY
- HIGH VOLTAGE (11kV) UNDERGROUND ELECTRICITY CABLE
- HIGH AND LOW VOLTAGE OVERHEAD LINE
- HIGH PRESSURE GAS MAIN
- BLIGHTED PROPERTIES
- PROPOSED FLOOD COMPENSATION AREA
- PROPOSED FLOOD COMPENSATION DITCH
- HIGHWAY FENCING WITH MAMMAL PROOFING
- EXISTING WATERCOURSE
- PROPOSED WALKING, CYCLING, HORSE RIDING ROUTE (WCH)
- EXISTING PUBLIC RIGHT OF WAY
- PROPOSED VEHICLE RESTRAINT SYSTEM
- PROPOSED NOISE BARRIER
- CULVERT STRUCTURES
- SITE COMPOUND

- NOTES**
1. ALL DIMENSIONS ARE IN METRES UNLESS NOTED OTHERWISE.
 2. ONLY WRITTEN DIMENSIONS SHALL BE USED, DO NOT SCALE.
 3. HIGH RISK UTILITIES SHOWN ON THESE DRAWINGS ARE SHOWN INDICATIVELY AND BASED ON INFORMATION PROVIDED BY OTHERS. THEREFORE ITS ACCURACY CANNOT BE GUARANTEED. OTHER EXISTING SERVICES MAY ALSO BE PRESENT.
 4. FOR MORE DETAILS ON PROPOSED AND EXISTING WALKING, CYCLING AND HORSE RIDING ROUTES REFER TO DRAWINGS HE551508-ARP-ENM-ML_A358_Z-DR-CH-000001-000004.
 5. THE DESIGN INFORMATION PRESENTED ON THIS DRAWING REPRESENTS DEVELOPING PRELIMINARY DESIGN AND WILL BE SUBJECT TO ONGOING REVIEW AND REFINEMENT.



Rev.	Date	Description	By	Chk'd	App'd	Auth'd
P01	06/05/22	ISSUED FOR INFORMATION	EW	RH	MK	SV

S2 SUITABLE FOR INFORMATION

TAYLOR WOODROW
together @ VINCI

ARUP **RAMBOLL**

national highways

Project Title A358 TAUNTON TO SOUTHFIELDS DUALLING SCHEME					
Drawing Title GENERAL ARRANGEMENT - SHEET 14 SECTION 4 NORTH OF SOUTHFIELDS ROUNDABOUT					
Scale N/A	By EW	Checked RH	Approved MK	Authorised SV	
Original Size A1	Date 06/05/22	Date 06/05/22	Date 09/05/22	Date 09/05/22	
Drawing Number HE551508 - ZZ	Originator ARP	Volume HGN	Number -DR-ZH-000114		Revision P01
Location	Type	Role	Number		