

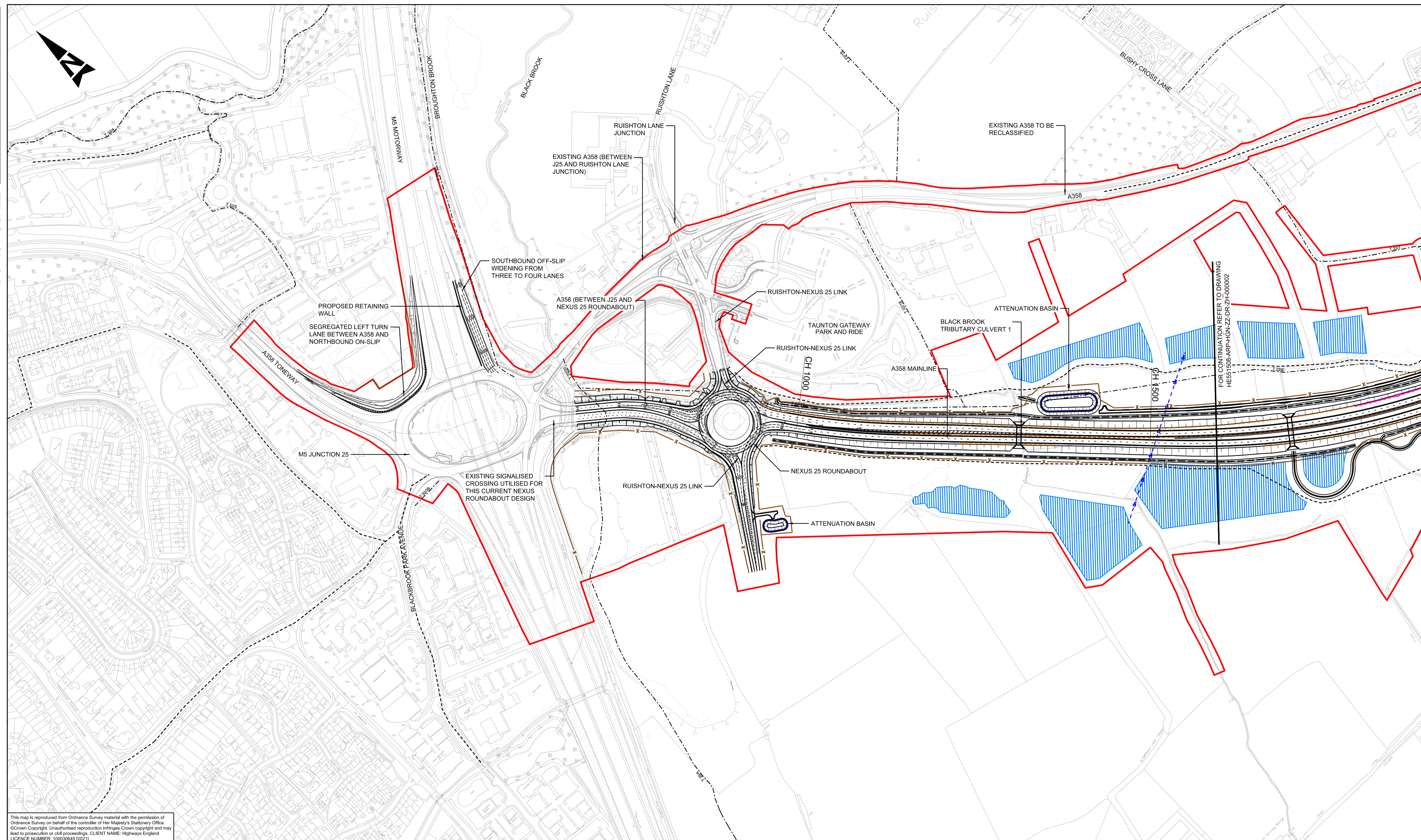
A358 TAUNTON TO SOUTHFIELDS DUALLING SCHEME

PUBLIC CONSULTATION 2021

GENERAL ARRANGEMENT DRAWINGS

DO NOT SCALE

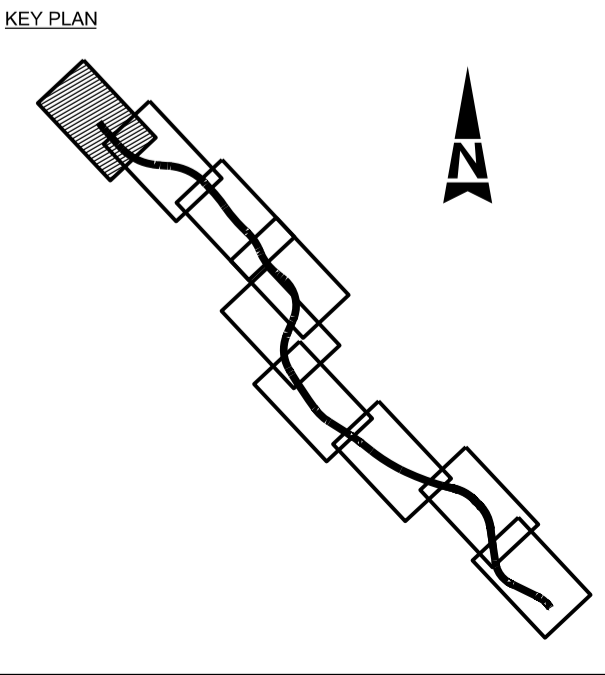
0 10 100
Millimetres



This map is reproduced from Ordnance Survey material with the permission of Ordnance Survey on behalf of the controller of Her Majesty's Stationery Office. © Crown Copyright. Unauthorised reproduction infringes Crown copyright and may lead to prosecution or civil proceedings. CLIENT NAME: Highways England LICENCE NUMBER: 100030649 (2021)

- KEY**
- PROPOSED SCHEME BOUNDARY
 - - - EXISTING HIGH VOLTAGE (11kV) UNDERGROUND ELECTRICITY CABLE
 - OH EXISTING HIGH VOLTAGE OVERHEAD LINE
 - HPG EXISTING HIGH PRESSURE GAS MAIN
 - BLIGHTED PROPERTIES
 - PROPOSED FLOOD COMPENSATION AREA
 - X HIGHWAY FENCING
 - PROPOSED SURFACE WATER CHANNEL
 - - - EXISTING WATERCOURSE
 - - - PROPOSED WCH ROUTE
 - EXISTING WCH ROUTE
 - - - PROPOSED VEHICLE RESTRAINT SYSTEM

- NOTES**
1. ALL DIMENSIONS ARE IN METRES UNLESS NOTED OTHERWISE.
 2. ONLY WRITTEN DIMENSIONS SHALL BE USED. DO NOT SCALE.
 3. HIGH RISK UTILITIES SHOWN ON THESE DRAWINGS ARE SHOWN INDICATIVELY AND BASED ON INFORMATION PROVIDED BY OTHERS. THEREFORE ITS ACCURACY CANNOT BE GUARANTEED. OTHER EXISTING SERVICES MAY ALSO BE PRESENT.
 4. THE DESIGN INFORMATION PRESENTED ON THIS DRAWING REPRESENTS DEVELOPING PRELIMINARY DESIGN AND WILL BE SUBJECT TO ONGOING REVIEW AND REFINEMENT.



SAFETY, HEALTH AND ENVIRONMENTAL INFORMATION

IN ADDITION TO THE HAZARDS/RISKS NORMALLY ASSOCIATED WITH THE TYPES OF WORK DETAILED ON THIS DRAWING, NOTE THE FOLLOWING SIGNIFICANT RESIDUAL RISKS (REFERENCE SHALL ALSO BE MADE TO THE DESIGN HAZARD LOG).			
CONSTRUCTION (TO BE POPULATED)			
MAINTENANCE / CLEANING (TO BE POPULATED)			
USE (TO BE POPULATED)			
DECOMMISSIONING / DEMOLITION (TO BE POPULATED)			

P01	20/09/21	ISSUED FOR INFORMATION	JF	RH	MK	SV
Rev.	Date	Description	By	Chk'd	App'd	Auth'd

Suitability: S2
Drawing Status: SUITABLE FOR INFORMATION

TAYLOR WOODROW
together @ VINCI

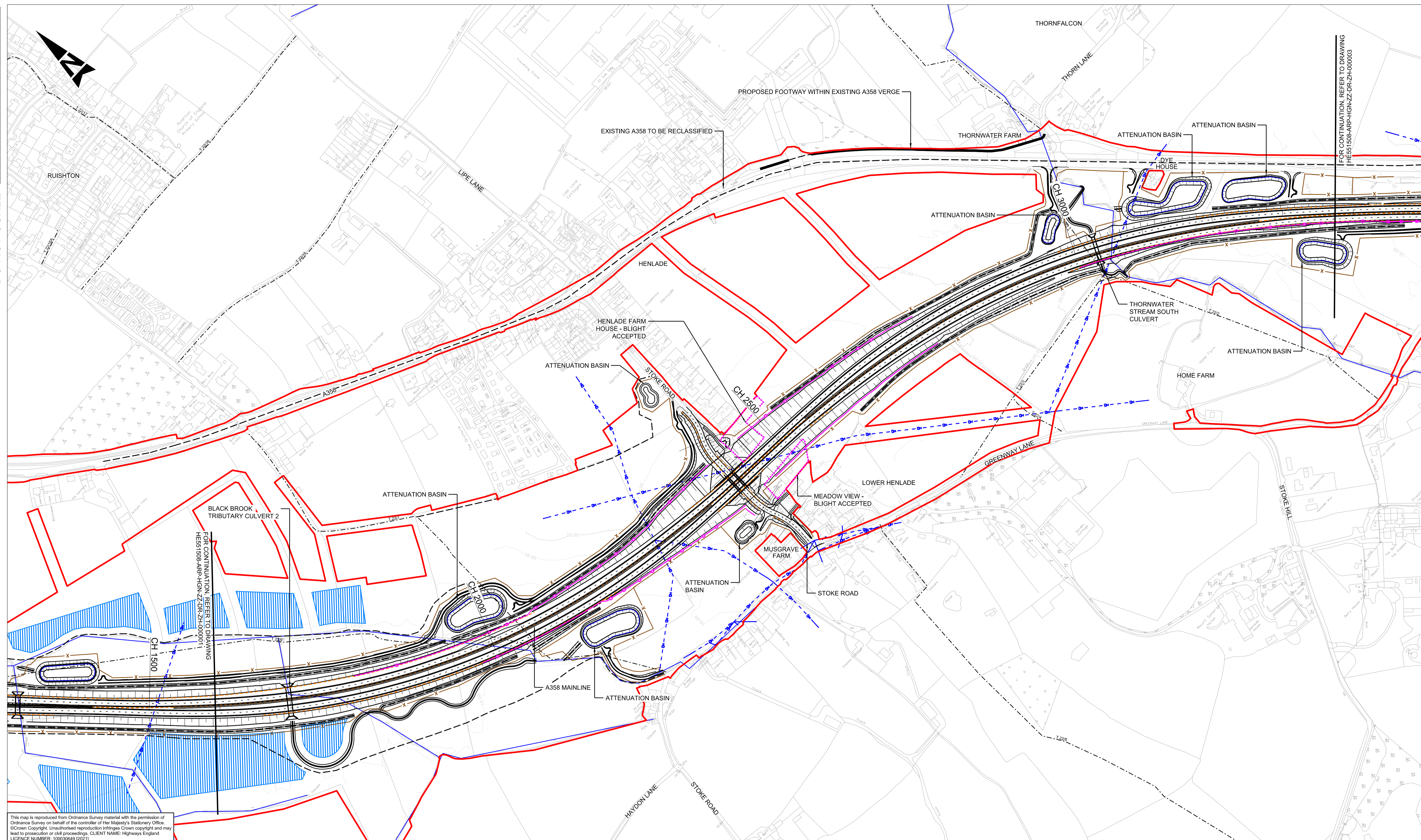
ARUP **RAMBOLL**

national highways

Project Title: A358 TAUNTON TO SOUTHFIELDS					
Drawing Title: A358 GENERAL ARRANGEMENT SECTION 1 M5 JUNCTION 25 TO NEXUS ROUNDABOUT					
Scale: N/A	By: JF	Checked: RH	Approved: MK	Authorised: SV	
Original Size: A1	Date: 20/09/21	Date: 20/09/21	Date: 21/09/21	Date: 21/09/21	Date: 21/09/21
Drawing Number: HE551508 - ZZ	Originator: ARP	Volume: HGN	Revision: P01		
Location: ZZ	Type: -DR-ZH-	Role: -000001	Number: 000001		

DO NOT SCALE

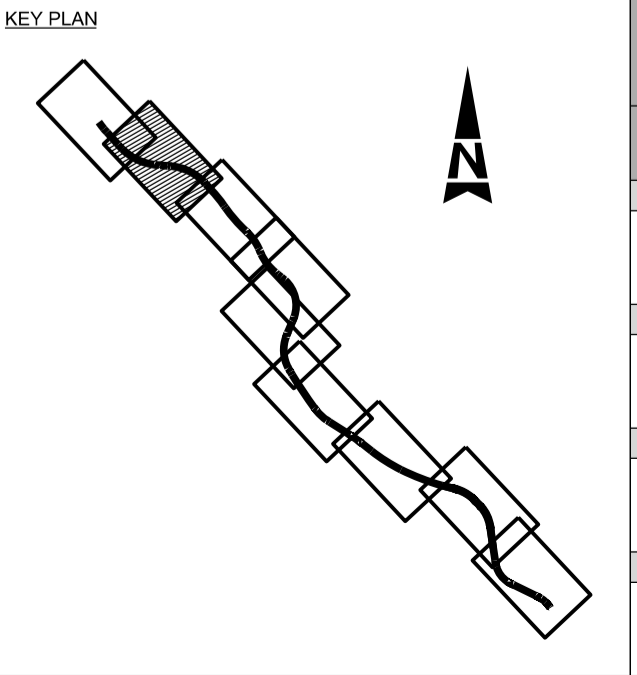
Millimetres
0 10 100



This map is reproduced from Ordnance Survey material with the permission of Ordnance Survey on behalf of the controller of Her Majesty's Stationery Office. © Crown Copyright. Unauthorised reproduction infringes Crown copyright and may lead to prosecution or civil proceedings. CLIENT NAME: Highways England LICENCE NUMBER: 100030649 (2021)

- KEY**
- PROPOSED SCHEME BOUNDARY
 - - - - - EXISTING HIGH VOLTAGE (11kV) UNDERGROUND ELECTRICITY CABLE
 - - - - - EXISTING HIGH VOLTAGE OVERHEAD LINE
 - - - - - EXISTING HIGH PRESSURE GAS MAIN
 - - - - - BLIGHTED PROPERTIES
 - ▨ PROPOSED FLOOD COMPENSATION AREA
 - X — HIGHWAY FENCING
 - - - - - PROPOSED SURFACE WATER CHANNEL
 - - - - - EXISTING WATERCOURSE
 - - - - - PROPOSED WCH ROUTE
 - - - - - EXISTING PROW
 - - - - - PROPOSED VEHICLE RESTRAINT SYSTEM

- NOTES**
- ALL DIMENSIONS ARE IN METRES UNLESS NOTED OTHERWISE.
 - ONLY WRITTEN DIMENSIONS SHALL BE USED. DO NOT SCALE.
 - HIGH RISK UTILITIES SHOWN ON THESE DRAWINGS ARE SHOWN INDICATIVELY AND BASED ON INFORMATION PROVIDED BY OTHERS. THEREFORE ITS ACCURACY CANNOT BE GUARANTEED. OTHER EXISTING SERVICES MAY ALSO BE PRESENT.
 - THE DESIGN INFORMATION PRESENTED ON THIS DRAWING REPRESENTS DEVELOPING PRELIMINARY DESIGN AND WILL BE SUBJECT TO ONGOING REVIEW AND REFINEMENT.



SAFETY, HEALTH AND ENVIRONMENTAL INFORMATION

IN ADDITION TO THE HAZARDS/RISKS NORMALLY ASSOCIATED WITH THE TYPES OF WORK DETAILED ON THIS DRAWING, NOTE THE FOLLOWING SIGNIFICANT RESIDUAL RISKS (REFERENCE SHALL ALSO BE MADE TO THE DESIGN HAZARD LOG).

CONSTRUCTION	MAINTENANCE / CLEANING	USE	DECOMMISSIONING / DEMOLITION
(TO BE POPULATED)	(TO BE POPULATED)	(TO BE POPULATED)	(TO BE POPULATED)

Rev.	Date	Description	By	Chk'd	App'd	Auth'd
P01	20/09/21	ISSUED FOR INFORMATION	JF	RH	MK	SV

Suitability: S2
Drawing Status: SUITABLE FOR INFORMATION

TAYLOR WOODROW
together @ VINCI

ARUP **RAMBOLL**

national highways

Project Title: A358 TAUNTON TO SOUTHFIELDS

Drawing Title: A358 GENERAL ARRANGEMENT SECTION 1 NEXUS ROUNDABOUT TO MATTOCK'S TREE GREEN JUNCTION

Scale	By	Checked	Approved	Authorised
N/A	JF	RH	MK	SV

Original Size	Date	Date	Date	Date
A1	20/09/21	20/09/21	21/09/21	21/09/21

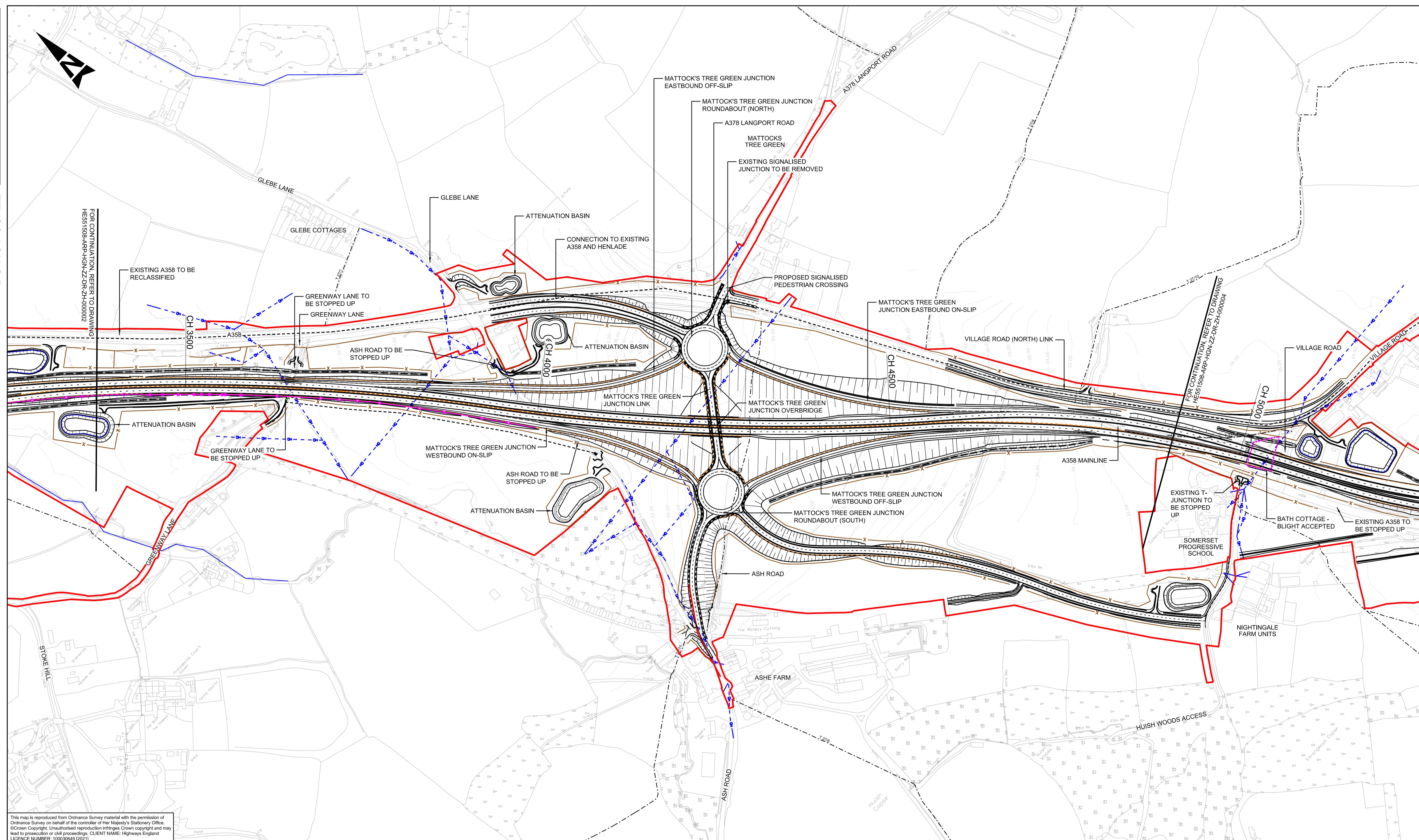
Drawing Number	Originator	Volume	Revision
HE551508 - ZZ	ARP	HGN	P01

Location: ZZ
Type: -DR-ZH-000002

FOR CONTINUATION, REFER TO DRAWING HE551508-ARP-HGN-ZZ-DR-ZH-000003

DO NOT SCALE

Millimetres
0 10 100



This map is reproduced from Ordnance Survey material with the permission of Ordnance Survey on behalf of the controller of Her Majesty's Stationery Office. © Crown Copyright. Unauthorised reproduction infringes Crown copyright and may lead to prosecution or civil proceedings. CLIENT NAME: Highways England LICENCE NUMBER: 100030649 (2021)

KEY	NOTES	KEY PLAN
<ul style="list-style-type: none"> PROPOSED SCHEME BOUNDARY EXISTING HIGH VOLTAGE (11kV) UNDERGROUND ELECTRICITY CABLE EXISTING HIGH VOLTAGE OVERHEAD LINE EXISTING HIGH PRESSURE GAS MAIN BLIGHTED PROPERTIES PROPOSED FLOOD COMPENSATION AREA HIGHWAY FENCING PROPOSED SURFACE WATER CHANNEL EXISTING WATERCOURSE PROPOSED WCH ROUTE EXISTING PROW PROPOSED VEHICLE RESTRAINT SYSTEM 	<ol style="list-style-type: none"> ALL DIMENSIONS ARE IN METRES UNLESS NOTED OTHERWISE. ONLY WRITTEN DIMENSIONS SHALL BE USED. DO NOT SCALE. HIGH RISK UTILITIES SHOWN ON THESE DRAWINGS ARE SHOWN INDICATIVELY AND BASED ON INFORMATION PROVIDED BY OTHERS. THEREFORE ITS ACCURACY CANNOT BE GUARANTEED. OTHER EXISTING SERVICES MAY ALSO BE PRESENT. THE DESIGN INFORMATION PRESENTED ON THIS DRAWING REPRESENTS DEVELOPING PRELIMINARY DESIGN AND WILL BE SUBJECT TO ONGOING REVIEW AND REFINEMENT. 	

SAFETY, HEALTH AND ENVIRONMENTAL INFORMATION	
IN ADDITION TO THE HAZARDS/RISKS NORMALLY ASSOCIATED WITH THE TYPES OF WORK DETAILED ON THIS DRAWING, NOTE THE FOLLOWING SIGNIFICANT RESIDUAL RISKS (REFERENCE SHALL ALSO BE MADE TO THE DESIGN HAZARD LOG).	
CONSTRUCTION (TO BE POPULATED)	
MAINTENANCE / CLEANING (TO BE POPULATED)	
USE (TO BE POPULATED)	
DECOMMISSIONING / DEMOLITION (TO BE POPULATED)	

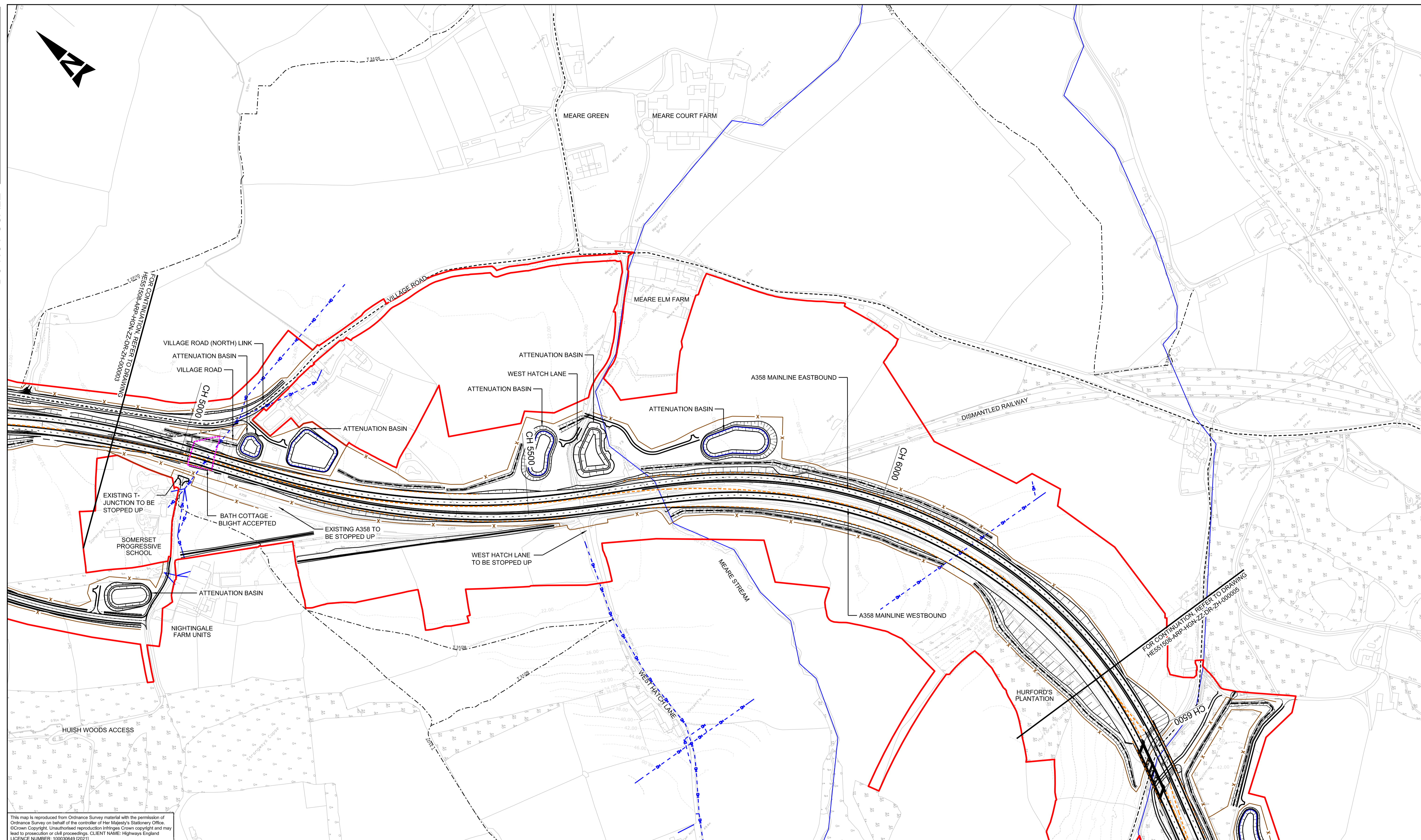
Rev.	Date	Description	By	Chk'd	App'd	Auth'd
P01	20/09/21	ISSUED FOR INFORMATION	JF	RH	MK	SV

Suitability	Drawing Status
S2	SUITABLE FOR INFORMATION
Client	

Project Title					
A358 TAUNTON TO SOUTHFIELDS					
Drawing Title					
A358 GENERAL ARRANGEMENT SECTION 2 MATTOCK'S TREE GREEN JUNCTION					
Scale	By	Checked	Approved	Authorised	
N/A	JF	RH	MK	SV	
Original Size	Date	Date	Date	Date	Date
A1	20/09/21	20/09/21	21/09/21		21/09/21
Drawing Number	HE PIN	Originator	Volume	Revision	
HE551508 - ZZ	ARP	ARP	HGN	P01	
Location	Type	Role	Number		
	-DR - ZH - 000003				

DO NOT SCALE

0 10 100
Millimetres



This map is reproduced from Ordnance Survey material with the permission of Ordnance Survey on behalf of the controller of Her Majesty's Stationery Office. © Crown Copyright. Unauthorised reproduction infringes Crown copyright and may lead to prosecution or civil proceedings. CLIENT NAME: Highways England LICENCE NUMBER: 100030649 (2021)

<p>KEY</p> <ul style="list-style-type: none"> PROPOSED SCHEME BOUNDARY EXISTING HIGH VOLTAGE (11kV) UNDERGROUND ELECTRICITY CABLE EXISTING HIGH VOLTAGE OVERHEAD LINE EXISTING HIGH PRESSURE GAS MAIN BLIGHTED PROPERTIES PROPOSED FLOOD COMPENSATION AREA HIGHWAY FENCING PROPOSED SURFACE WATER CHANNEL EXISTING WATERCOURSE PROPOSED WCH ROUTE EXISTING PROW PROPOSED VEHICLE RESTRAINT SYSTEM 	<p>PROPOSED NOISE BARRIER</p>	<p>KEY PLAN</p>
<p>NOTES</p> <ol style="list-style-type: none"> ALL DIMENSIONS ARE IN METRES UNLESS NOTED OTHERWISE. ONLY WRITTEN DIMENSIONS SHALL BE USED. DO NOT SCALE. HIGH RISK UTILITIES SHOWN ON THESE DRAWINGS ARE SHOWN INDICATIVELY AND BASED ON INFORMATION PROVIDED BY OTHERS. THEREFORE ITS ACCURACY CANNOT BE GUARANTEED. OTHER EXISTING SERVICES MAY ALSO BE PRESENT. THE DESIGN INFORMATION PRESENTED ON THIS DRAWING REPRESENTS DEVELOPING PRELIMINARY DESIGN AND WILL BE SUBJECT TO ONGOING REVIEW AND REFINEMENT. 		

SAFETY, HEALTH AND ENVIRONMENTAL INFORMATION

IN ADDITION TO THE HAZARDS/RISKS NORMALLY ASSOCIATED WITH THE TYPES OF WORK DETAILED ON THIS DRAWING, NOTE THE FOLLOWING SIGNIFICANT RESIDUAL RISKS (REFERENCE SHALL ALSO BE MADE TO THE DESIGN HAZARD LOG).

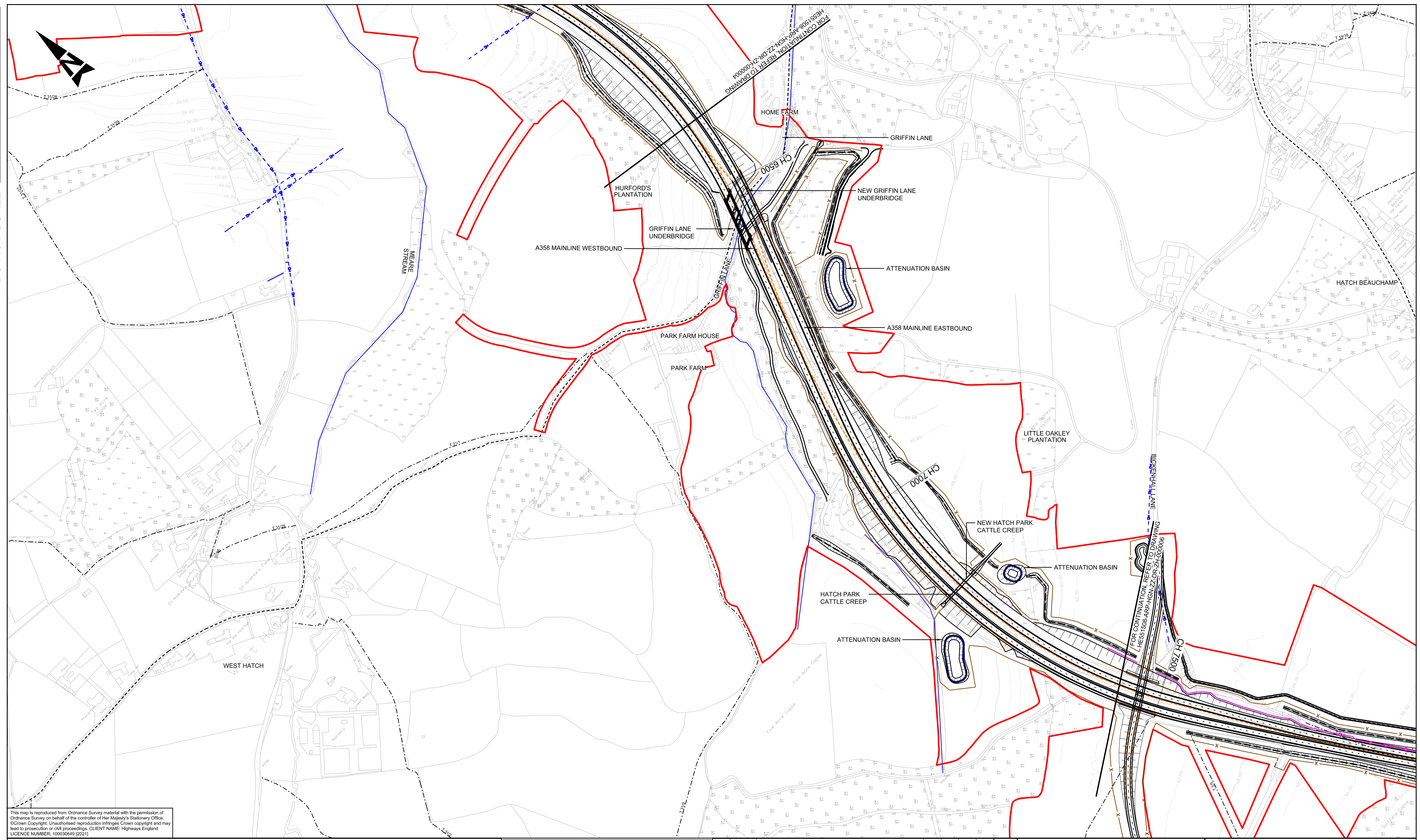
CONSTRUCTION (TO BE POPULATED)					
MAINTENANCE / CLEANING (TO BE POPULATED)					
USE (TO BE POPULATED)					
DECOMMISSIONING / DEMOLITION (TO BE POPULATED)					

Rev.	Date	Description	By	Chk'd	App'd	Auth'd
P01	20/09/21	ISSUED FOR INFORMATION	JF	RH	MK	SV

Suitability	Drawing Status	Project Title																							
S2	SUITABLE FOR INFORMATION	A358 TAUNTON TO SOUTHFIELDS																							
		Drawing Title																							
		A358 GENERAL ARRANGEMENT SECTION 2 MATTOCK'S TREE GREEN JUNCTION TO GRIFFIN LANE																							
Client	<table border="1"> <tr> <td>Scale</td> <td>N/A</td> <td>By</td> <td>JF</td> <td>Checked</td> <td>RH</td> <td>Approved</td> <td>MK</td> <td>Authorised</td> <td>SV</td> </tr> <tr> <td>Original Size</td> <td>A1</td> <td>Date</td> <td>20/09/21</td> <td>Date</td> <td>20/09/21</td> <td>Date</td> <td>21/09/21</td> <td>Date</td> <td>21/09/21</td> </tr> </table>					Scale	N/A	By	JF	Checked	RH	Approved	MK	Authorised	SV	Original Size	A1	Date	20/09/21	Date	20/09/21	Date	21/09/21	Date	21/09/21
Scale	N/A	By	JF	Checked	RH	Approved	MK	Authorised	SV																
Original Size	A1	Date	20/09/21	Date	20/09/21	Date	21/09/21	Date	21/09/21																
		Drawing Number	HE PIN	Originator	Volume	Revision																			
		HE551508 - ZZ	ARP	HGN	-DR-ZH-000004	P01																			

DO NOT SCALE

0 10 100
Millimetres

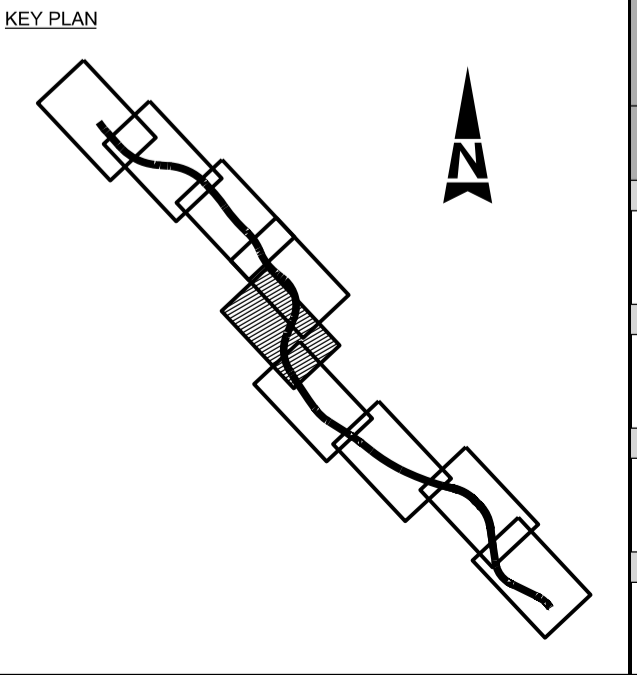


This map is reproduced from Ordnance Survey material with the permission of Ordnance Survey on behalf of the controller of Her Majesty's Stationery Office. © Crown Copyright. Unauthorised reproduction infringes Crown copyright and may lead to prosecution or civil proceedings. CLIENT NAME: Highways England LICENCE NUMBER: 100030649 (2021)

KEY	
	PROPOSED SCHEME BOUNDARY
	EXISTING HIGH VOLTAGE (11kV) UNDERGROUND ELECTRICITY CABLE
	EXISTING HIGH VOLTAGE OVERHEAD LINE
	EXISTING HIGH PRESSURE GAS MAIN
	BLIGHTED PROPERTIES
	PROPOSED FLOOD COMPENSATION AREA
	HIGHWAY FENCING
	PROPOSED SURFACE WATER CHANNEL
	EXISTING WATERCOURSE
	PROPOSED WCH ROUTE
	EXISTING PROW
	PROPOSED VEHICLE RESTRAINT SYSTEM

NOTES

- ALL DIMENSIONS ARE IN METRES UNLESS NOTED OTHERWISE.
- ONLY WRITTEN DIMENSIONS SHALL BE USED. DO NOT SCALE.
- HIGH RISK UTILITIES SHOWN ON THESE DRAWINGS ARE SHOWN INDICATIVELY AND BASED ON INFORMATION PROVIDED BY OTHERS. THEREFORE ITS ACCURACY CANNOT BE GUARANTEED. OTHER EXISTING SERVICES MAY ALSO BE PRESENT.
- THE DESIGN INFORMATION PRESENTED ON THIS DRAWING REPRESENTS DEVELOPING PRELIMINARY DESIGN AND WILL BE SUBJECT TO ONGOING REVIEW AND REFINEMENT.



SAFETY, HEALTH AND ENVIRONMENTAL INFORMATION	
IN ADDITION TO THE HAZARDS/RISKS NORMALLY ASSOCIATED WITH THE TYPES OF WORK DETAILED ON THIS DRAWING, NOTE THE FOLLOWING SIGNIFICANT RESIDUAL RISKS (REFERENCE SHALL ALSO BE MADE TO THE DESIGN HAZARD LOG).	
CONSTRUCTION (TO BE POPULATED)	
MAINTENANCE / CLEANING (TO BE POPULATED)	
USE (TO BE POPULATED)	
DECOMMISSIONING / DEMOLITION (TO BE POPULATED)	

Rev.	Date	Description	By	Chk'd	App'd	Auth'd
P01	20/09/21	ISSUED FOR INFORMATION	JF	RH	MK	SV

Client: **national highways**

Author: **ARUP** **RAMBOLL**

Project Title: **A358 TAUNTON TO SOUTHFIELDS**

Drawing Title: **A358 GENERAL ARRANGEMENT SECTION 3 GRIFFIN LANE TO BICKENHALL LANE**

Scale: N/A

Original Size: A1

Drawing Number: HE551508 - ZZ

Location: ZZ

By	Checked	Approved	Authorised
JF	RH	MK	SV

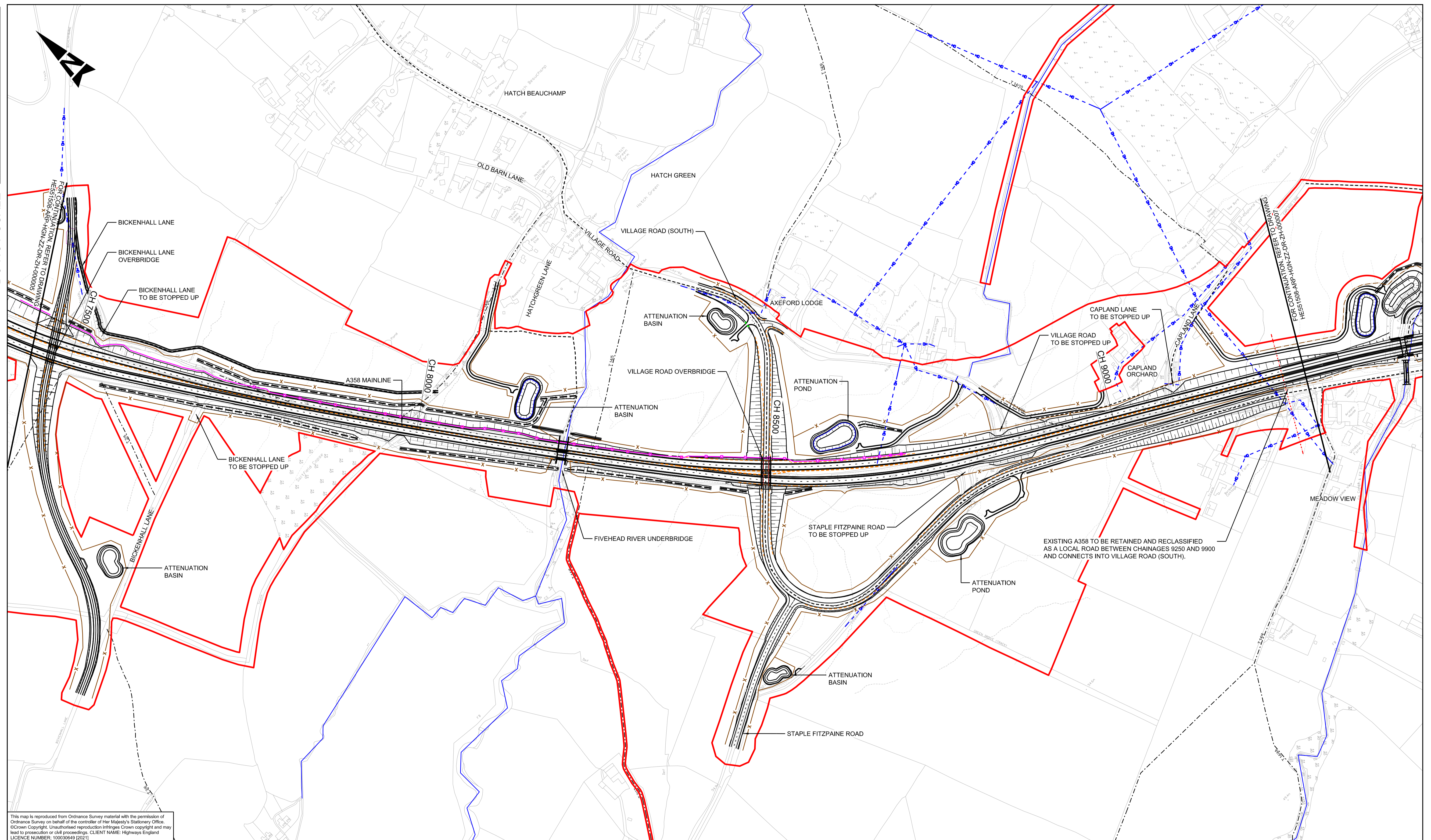
Date	Date	Date	Date
20/09/21	20/09/21	21/09/21	21/09/21

Originator	Volume	Number
ARP	- HG	- DR - ZH - 000005

DO NOT SCALE

Millimetres

0 10 100



This map is reproduced from Ordnance Survey material with the permission of Ordnance Survey on behalf of the controller of Her Majesty's Stationery Office. © Crown Copyright. Unauthorised reproduction infringes Crown copyright and may lead to prosecution or civil proceedings. CLIENT NAME: Highways England LICENCE NUMBER: 100030649 (2021)

<p>KEY</p> <ul style="list-style-type: none"> PROPOSED SCHEME BOUNDARY EXISTING HIGH VOLTAGE (11kV) UNDERGROUND ELECTRICITY CABLE EXISTING HIGH VOLTAGE OVERHEAD LINE EXISTING HIGH PRESSURE GAS MAIN BLIGHTED PROPERTIES PROPOSED FLOOD COMPENSATION AREA HIGHWAY FENCING PROPOSED SURFACE WATER CHANNEL EXISTING WATERCOURSE PROPOSED WCH ROUTE EXISTING PROW PROPOSED VEHICLE RESTRAINT SYSTEM 	<p>PROPOSED NOISE BARRIER</p>	<p>KEY PLAN</p>
<p>NOTES</p> <ol style="list-style-type: none"> ALL DIMENSIONS ARE IN METRES UNLESS NOTED OTHERWISE. ONLY WRITTEN DIMENSIONS SHALL BE USED. DO NOT SCALE. HIGH RISK UTILITIES SHOWN ON THESE DRAWINGS ARE SHOWN INDICATIVELY AND BASED ON INFORMATION PROVIDED BY OTHERS. THEREFORE ITS ACCURACY CANNOT BE GUARANTEED. OTHER EXISTING SERVICES MAY ALSO BE PRESENT. THE DESIGN INFORMATION PRESENTED ON THIS DRAWING REPRESENTS DEVELOPING PRELIMINARY DESIGN AND WILL BE SUBJECT TO ONGOING REVIEW AND REFINEMENT. 		

SAFETY, HEALTH AND ENVIRONMENTAL INFORMATION	
CONSTRUCTION (TO BE POPULATED)	
MAINTENANCE / CLEANING (TO BE POPULATED)	
USE (TO BE POPULATED)	
DECOMMISSIONING / DEMOLITION (TO BE POPULATED)	

Rev.	Date	Description	By	Chk'd	App'd	Auth'd
P01	20/09/21	ISSUED FOR INFORMATION	JF	RH	MK	SV

Suitability: S2 | Drawing Status: SUITABLE FOR INFORMATION

TAYLOR WOODROW together @ VINCI

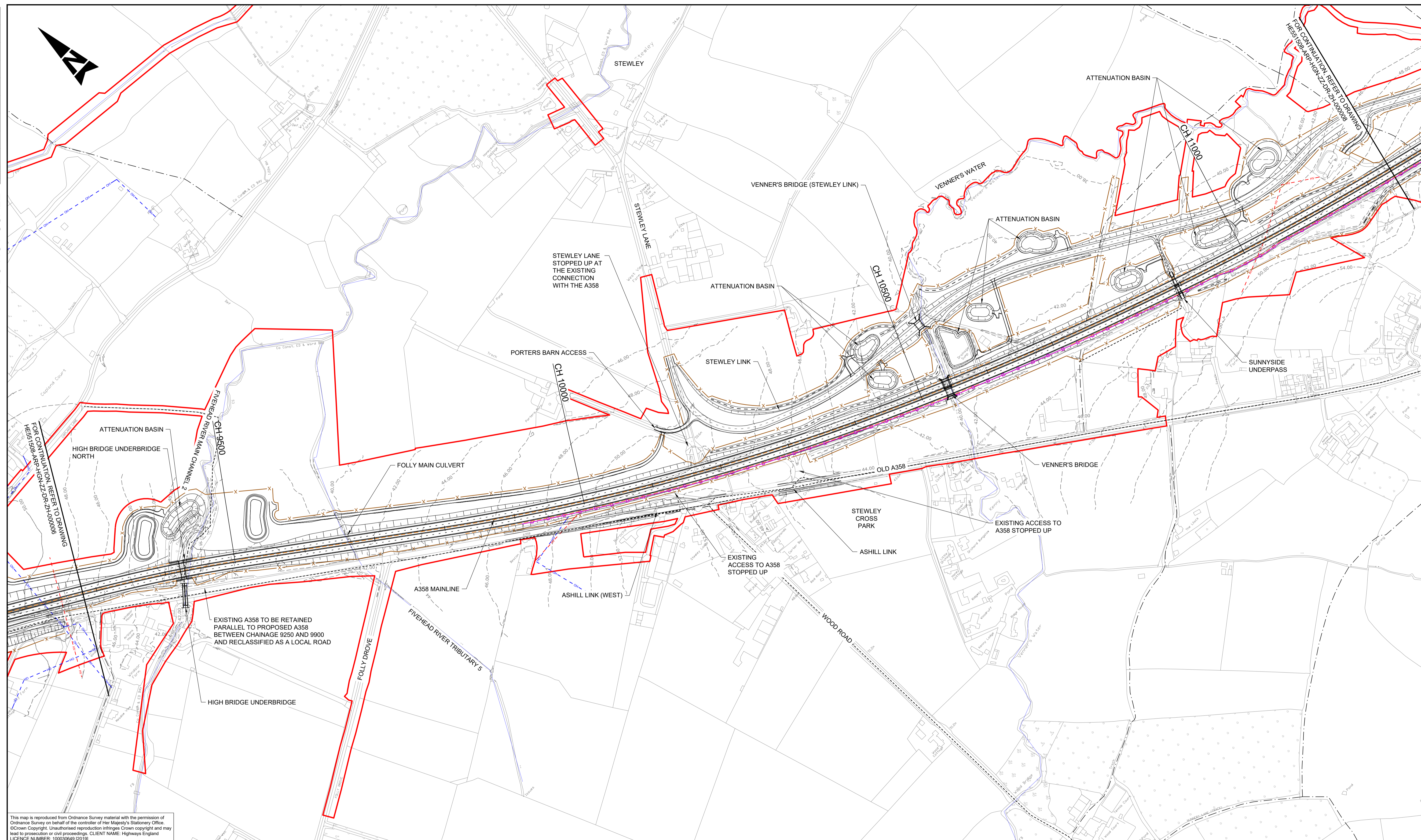
ARUP | RAMBOLL

national highways

Project Title		A358 TAUNTON TO SOUTHFIELDS			
Drawing Title		A358 GENERAL ARRANGEMENT SECTION 3 BICKENHALL LANE TO CAPLAND			
Scale	By	Checked	Approved	Authorised	
N/A	JF	RH	MK	SV	
Original Size	Date	Date	Date	Date	
A1	20/09/21	20/09/21	21/09/21	21/09/21	
Drawing Number	HE PIN	Originator	Volume	Revision	
HE551508 - ZZ	ARP	HGN	-DR - ZH - 000006	P01	
Location	Type	Role	Number		

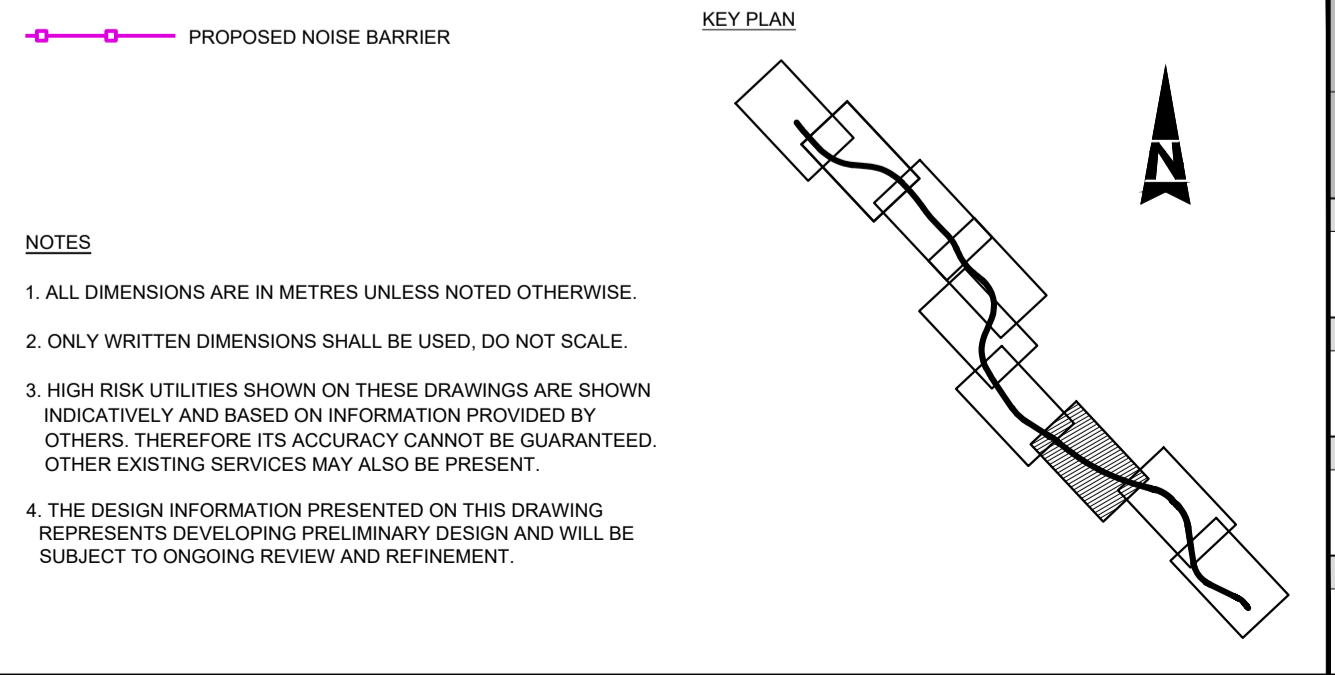
DO NOT SCALE

Millimetres



This map is reproduced from Ordnance Survey material with the permission of Ordnance Survey on behalf of the controller of Her Majesty's Stationery Office. © Crown Copyright. Unauthorised reproduction infringes Crown copyright and may lead to prosecution or civil proceedings. CLIENT NAME: Highways England LICENCE NUMBER: 100030649 (2019)

- KEY**
- PROPOSED SCHEME BOUNDARY
 - - - HV EXISTING HIGH VOLTAGE (11kV) UNDERGROUND ELECTRICITY CABLE
 - - - OH EXISTING HIGH VOLTAGE OVERHEAD LINE
 - - - HPS EXISTING HIGH PRESSURE GAS MAIN
 - ▨ BLIGHTED PROPERTIES
 - ▨ PROPOSED FLOOD COMPENSATION AREA
 - - - HIGHWAY FENCING
 - - - PROPOSED SURFACE WATER CHANNEL
 - - - EXISTING WATERCOURSE
 - - - PROPOSED WCH ROUTE
 - - - EXISTING FROW
 - - - PROPOSED VEHICLE RESTRAINT SYSTEM
- NOTES**
- ALL DIMENSIONS ARE IN METRES UNLESS NOTED OTHERWISE.
 - ONLY WRITTEN DIMENSIONS SHALL BE USED. DO NOT SCALE.
 - HIGH RISK UTILITIES SHOWN ON THESE DRAWINGS ARE SHOWN INDICATIVELY AND BASED ON INFORMATION PROVIDED BY OTHERS. THEREFORE ITS ACCURACY CANNOT BE GUARANTEED. OTHER EXISTING SERVICES MAY ALSO BE PRESENT.
 - THE DESIGN INFORMATION PRESENTED ON THIS DRAWING REPRESENTS DEVELOPING PRELIMINARY DESIGN AND WILL BE SUBJECT TO ONGOING REVIEW AND REFINEMENT.



SAFETY, HEALTH AND ENVIRONMENTAL INFORMATION

IN ADDITION TO THE HAZARDS/RISKS NORMALLY ASSOCIATED WITH THE TYPES OF WORK DETAILED ON THIS DRAWING, NOTE THE FOLLOWING SIGNIFICANT RESIDUAL RISKS (REFERENCE SHALL ALSO BE MADE TO THE DESIGN HAZARD LOG)

CONSTRUCTION (ENTER 'NONE' IF APPLICABLE)					
MAINTENANCE / CLEANING (ENTER 'NONE' IF APPLICABLE)					
USE (ENTER 'NONE' IF APPLICABLE)					
DECOMMISSIONING / DEMOLITION (ENTER 'NONE' IF APPLICABLE)					

Rev.	Date	Description	By	Chk'd	App'd	Auth'd
P01	20/09/21	ISSUED FOR INFORMATION	MB	RH	MK	SV

Suitability Drawing Status
S2 SUITABLE FOR INFORMATION

TAYLOR WOODROW
together @ VINCI

ARUP **RAMBOLL**

Client

national highways

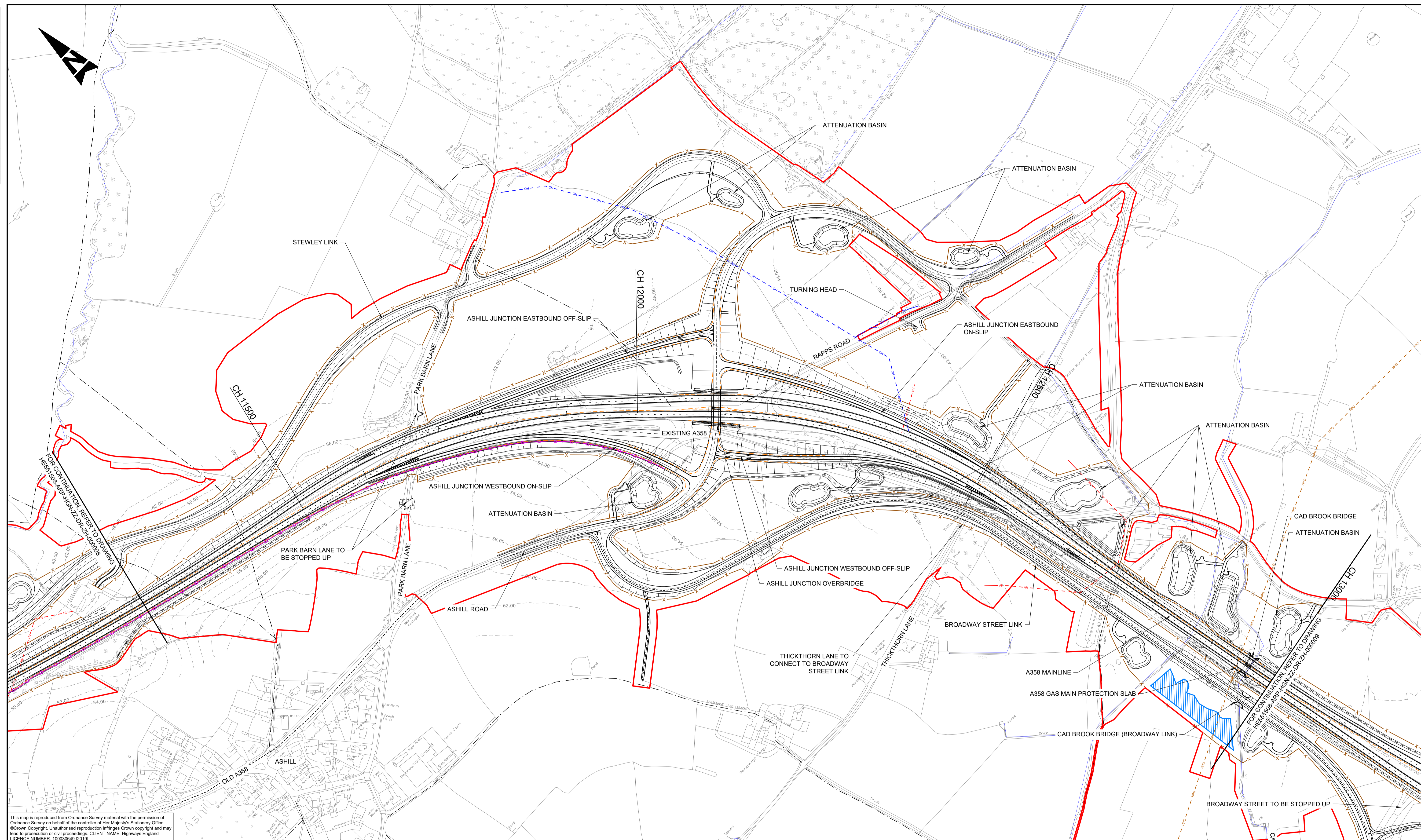
Project Title
A358 TAUNTON TO SOUTHFIELDS

Drawing Title
A358 GENERAL ARRANGEMENT
SECTION 3
CAPLAND TO ASHILL JUNCTION

Scale	By	Checked	Approved	Authorised
1:2500	MB	RH	MK	SV
Original Size	Date	Date	Date	Date
A1	20/09/21	20/09/21	21/09/21	21/09/21
Drawing Number	HE PIN	Originator	Volume	Revision
HE551508 - ZZ	ARP	HGN	-DR -ZH -000007	P01
Location	Type	Role	Number	

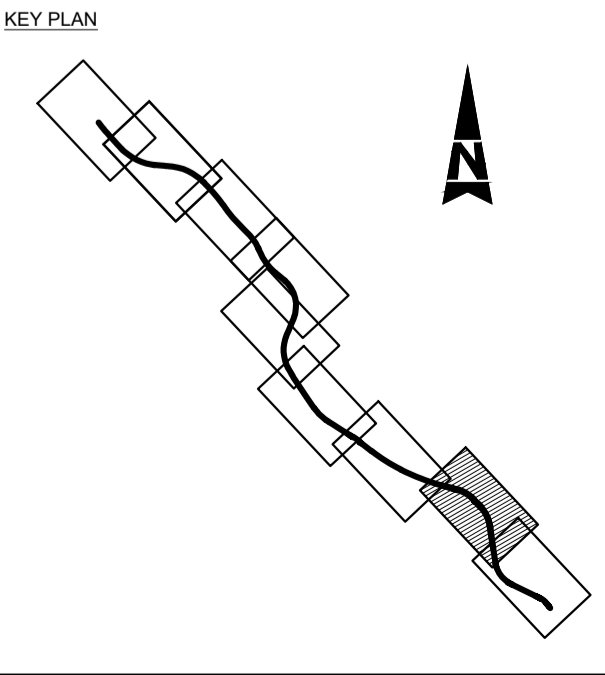
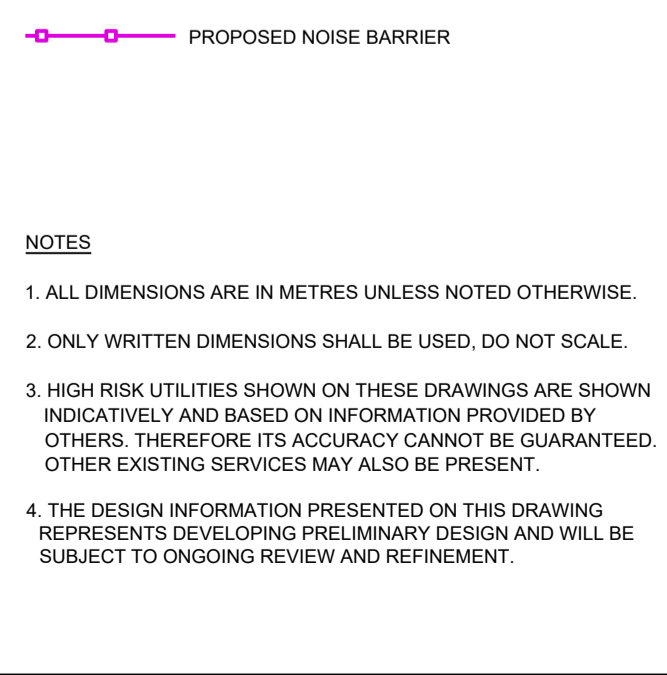
DO NOT SCALE

0 10 100
Millimetres



This map is reproduced from Ordnance Survey material with the permission of Ordnance Survey on behalf of the controller of Her Majesty's Stationery Office. © Crown Copyright. Unauthorised reproduction infringes Crown copyright and may lead to prosecution or civil proceedings. CLIENT NAME: Highways England LICENCE NUMBER: 100030649 (2019)

- KEY**
- PROPOSED SCHEME BOUNDARY
 - HV EXISTING HIGH VOLTAGE (11kV) UNDERGROUND ELECTRICITY CABLE
 - OH EXISTING HIGH VOLTAGE OVERHEAD LINE
 - HPG EXISTING HIGH PRESSURE GAS MAIN
 - BLIGHTED PROPERTIES
 - PROPOSED FLOOD COMPENSATION AREA
 - HIGHWAY FENCING
 - PROPOSED SURFACE WATER CHANNEL
 - EXISTING WATERCOURSE
 - PROPOSED WCH ROUTE
 - EXISTING PROW
 - PROPOSED VEHICLE RESTRAINT SYSTEM
- NOTES**
- ALL DIMENSIONS ARE IN METRES UNLESS NOTED OTHERWISE.
 - ONLY WRITTEN DIMENSIONS SHALL BE USED. DO NOT SCALE.
 - HIGH RISK UTILITIES SHOWN ON THESE DRAWINGS ARE SHOWN INDICATIVELY AND BASED ON INFORMATION PROVIDED BY OTHERS. THEREFORE ITS ACCURACY CANNOT BE GUARANTEED. OTHER EXISTING SERVICES MAY ALSO BE PRESENT.
 - THE DESIGN INFORMATION PRESENTED ON THIS DRAWING REPRESENTS DEVELOPING PRELIMINARY DESIGN AND WILL BE SUBJECT TO ONGOING REVIEW AND REFINEMENT.



SAFETY, HEALTH AND ENVIRONMENTAL INFORMATION

IN ADDITION TO THE HAZARDS/RISKS NORMALLY ASSOCIATED WITH THE TYPES OF WORK DETAILED ON THIS DRAWING, NOTE THE FOLLOWING SIGNIFICANT RESIDUAL RISKS (REFERENCE SHALL ALSO BE MADE TO THE DESIGN HAZARD LOG)

CONSTRUCTION (ENTER 'NONE' IF APPLICABLE)					
MAINTENANCE / CLEANING (ENTER 'NONE' IF APPLICABLE)					
USE (ENTER 'NONE' IF APPLICABLE)					
DECOMMISSIONING / DEMOLITION (ENTER 'NONE' IF APPLICABLE)					

Rev.	Date	Description	By	Chk'd	App'd	Auth'd
P01	20/09/21	ISSUED FOR INFORMATION	MB	RH	MK	SV

Suitability Drawing Status
S2 SUITABLE FOR INFORMATION

TAYLOR WOODROW
together @ VINCI

ARUP **RAMBOLL**

Client

national highways

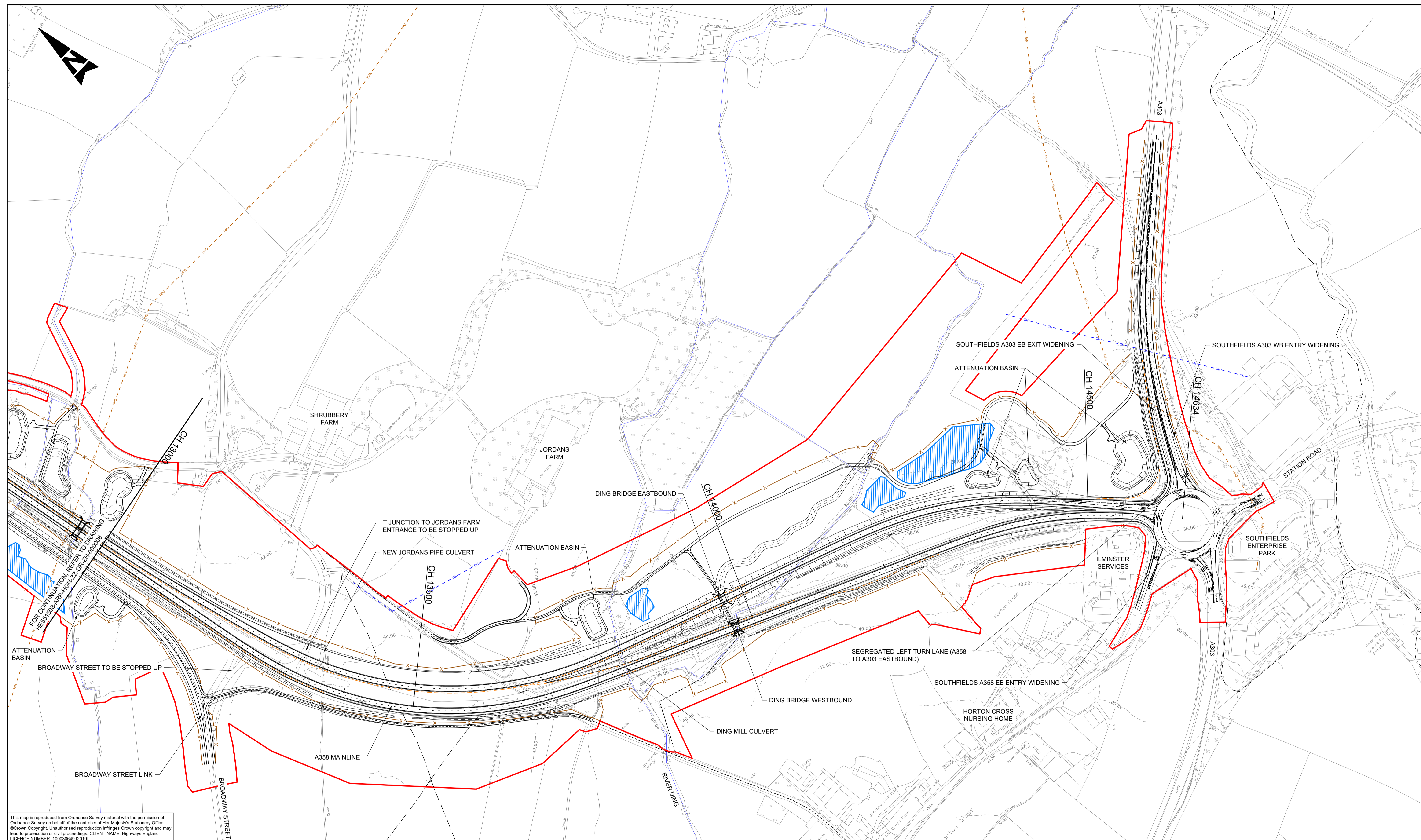
Project Title
A358 TAUNTON TO SOUTHFIELDS

Drawing Title
A358 GENERAL ARRANGEMENT SECTION 4 ASHILL JUNCTION

Scale	By	Checked	Approved	Authorised
1:2500	MB	RH	MK	SV
Original Size	Date	Date	Date	Date
A1	20/09/21	20/09/21	21/09/21	21/09/21
Drawing Number	HE PIN	Originator	Volume	Revision
HE551508 - ZZ	ARP	HGN	- DR - ZH - 000008	P01
Location	Type	Role	Number	

DO NOT SCALE

0 10 100
Millimetres



This map is reproduced from Ordnance Survey material with the permission of Ordnance Survey on behalf of the controller of Her Majesty's Stationery Office. © Crown Copyright. Unauthorised reproduction infringes Crown copyright and may lead to prosecution or civil proceedings. CLIENT NAME: Highways England LICENCE NUMBER: 100030649 (2019)

<p>KEY</p> <ul style="list-style-type: none"> — PROPOSED SCHEME BOUNDARY - - - HV EXISTING HIGH VOLTAGE (11kV) UNDERGROUND ELECTRICITY CABLE - - - OH EXISTING HIGH VOLTAGE OVERHEAD LINE - - - HPG EXISTING HIGH PRESSURE GAS MAIN BLIGHTED PROPERTIES PROPOSED FLOOD COMPENSATION AREA X HIGHWAY FENCING - - - PROPOSED SURFACE WATER CHANNEL — EXISTING WATERCOURSE - - - PROPOSED WCH ROUTE - - - EXISTING FROW - - - PROPOSED VEHICLE RESTRAINT SYSTEM 	<p>NOTES</p> <ol style="list-style-type: none"> 1. ALL DIMENSIONS ARE IN METRES UNLESS NOTED OTHERWISE. 2. ONLY WRITTEN DIMENSIONS SHALL BE USED. DO NOT SCALE. 3. HIGH RISK UTILITIES SHOWN ON THESE DRAWINGS ARE SHOWN INDICATIVELY AND BASED ON INFORMATION PROVIDED BY OTHERS. THEREFORE ITS ACCURACY CANNOT BE GUARANTEED. OTHER EXISTING SERVICES MAY ALSO BE PRESENT. 4. THE DESIGN INFORMATION PRESENTED ON THIS DRAWING REPRESENTS DEVELOPING PRELIMINARY DESIGN AND WILL BE SUBJECT TO ONGOING REVIEW AND REFINEMENT. 	<p>KEY PLAN</p>
---	--	------------------------

SAFETY, HEALTH AND ENVIRONMENTAL INFORMATION			
IN ADDITION TO THE HAZARDS/RISKS NORMALLY ASSOCIATED WITH THE TYPES OF WORK DETAILED ON THIS DRAWING, NOTE THE FOLLOWING SIGNIFICANT RESIDUAL RISKS (REFERENCE SHALL ALSO BE MADE TO THE DESIGN HAZARD LOG)			
CONSTRUCTION (ENTER 'NONE' IF APPLICABLE)			
MAINTENANCE / CLEANING (ENTER 'NONE' IF APPLICABLE)			
USE (ENTER 'NONE' IF APPLICABLE)			
DECOMMISSIONING / DEMOLITION (ENTER 'NONE' IF APPLICABLE)			
P01	20/09/21	ISSUED FOR INFORMATION	MB RH MK SV
Rev.	Date	Description	By Chk'd App'd Auth'd

Suitability	Drawing Status	Project Title	
S2	SUITABLE FOR INFORMATION	A358 TAUNTON TO SOUTHFIELDS	
		Drawing Title	
		A358 GENERAL ARRANGEMENT SECTION 4 ASHILL JUNCTION TO SOUTHFIELDS ROUNDABOUT	
		Scale	By
		1:2500	MB
Client		Checked	Approved
		RH	MK
		Original Size	Date
		A1	20/09/21
		Date	Date
		20/09/21	21/09/21
		Authorised	SV
		21/09/21	21/09/21
		Drawing Number	Revision
		HE PIN	HE PIN
		Originator	Volume
		ARP	HGN
		Location	Type
		ZZ	-DR-ZH-000009
		Role	Number
		P01	P01

S2		SUITABLE FOR INFORMATION		Project Title	
S2		SUITABLE FOR INFORMATION		A358 TAUNTON TO SOUTHFIELDS	
		Drawing Title		A358 GENERAL ARRANGEMENT SECTION 4 ASHILL JUNCTION TO SOUTHFIELDS ROUNDABOUT	
		Scale		By	
		1:2500		MB	
		Checked		Approved	
		RH		MK	
		Original Size		Date	
		A1		20/09/21	
		Date		Date	
		20/09/21		21/09/21	
		Authorised		SV	
		21/09/21		21/09/21	
		Drawing Number		Revision	
		HE PIN		HE PIN	
		Originator		Volume	
		ARP		HGN	
		Location		Type	
		ZZ		-DR-ZH-000009	
		Role		Number	
		P01		P01	
		21/09/21		21/09/21	